

April 2011

**NATIONAL
AGILITY
LINK
ASSOCIATION**





National Agility Link Association (formed 1989)

CENTRAL COUNCIL comprises Secretary, Treasurer, and NALA Reps.

EDITOR/SECRETARY

KAREN DE WIT, 74A Kirton Drive, Riverstone Terraces, UPPER HUTT 5018
Ph: 04/528 6796. Mob: 021 1240174 Email: kpdewit@xtra.co.nz

TREASURER

FIONA FERRAR, 630 Te Kowhai Rd, RD8, HAMILTON 3288 Ph: 07 829-7016
Ph: Mob: 021 358-996 Email: f.ferrar@actrix.co.nz

NALA REPRESENTATIVES.

NORTH ISLAND.

KIM ORLANDO-REEP, Pepepe Valley, RD2, HUNTLY 3772

Ph: 078266725 Mob: 0274488896 E: kim@rockinghorses.com

MEL MANKELOW, 52B Lambert Road, RD2, WHAKATANAE

Ph: 07 322 9224 E: jasonmel.bo@xtra.co.nz

SANDRA MOHEKEY,

SOUTH ISLAND.

SUE McKEE:- 203 Mandeville Road, RD 2 Kaiapoi 7692,

Ph: 03 312 6264 Mob: 027 290 8182

E: suemckee2001@yahoo.com

LYNLEY BARRETT: Lrbarrett@xtra.co.nz

ELAINE PEARCE

RESULTS RECORDER (Agility)

Results may be viewed at www.nala.org.nz For more information contact

MIKE BUTLER, 146 Clyde St, Island Bay, WELLINGTON. Ph: 04/383 8143.

Email: mbutler@ihug.co.nz

RESULTS RECORDER (Flygility)

ALLAN ROHDE, 167A Runciman Road, R D 2, Pukekohe, AUCKLAND.

Ph: 09-2385464; Email mark.iii@clear.net.nz

NOTE: All results must be in by the last day of the month.

LIBRARY ENQUIRIES

DARRYL JEWISS, 33 Bell Rd, Lower Hutt 5010 , ph: 04-972-7701.

Email: djewiss@paradise.net.nz OR library@nala.org.nz

MAGAZINE DISTRIBUTION

CAROLE LOGAN Email: distribution@nala.org.nz



EDITORIAL
by Karen de Wit



The puppies are 12 months old now and we have had a lot of fun with them already! There are many people I talk to (at Puppy pre-school) who just cannot wait for their puppies to grow up, but I think they grow up far too fast!! I just love the stage when most of what they see and hear and smell is new to them, and their reactions are fun too. Our puppies just LOVE cardboard boxes, and I think they must LOVE Pak”n”Save days when I usually turn up with one or more cardboard boxes, which of course they get to rip apart! This week it was three boxes, and within about five minutes of hitting the floor they had been taken outside, and the corners are gone. These boxes were pretty tough though and have been left in the rain to soften!! What sort of toys do your pups like the best?

This week I had a steroid injection into my shoulder, hopefully the end of a saga that started with a violent jerk by a dog on the end of a lead towards where another dog was racing after a thrown ball. Weeks of Physio with no real improvement, some xrays and scans and finally the jab—feels better already—so no more one-arm tugging for me and my dogs—if you see me playing that game then please tell me off!!!

VERY sad month this month for us—saying the last GOODBYE to Ascki. No words can adequately express the life this wonderful dog lead. She came from a farm of working dogs, into a family with two kids and two older dogs, and soon after had another friend in my puppy—Moss. She was Pete’s best mate. Tribute in this magazine and on Facebook. Love you ASCKI!!



ASCKI

Written March 2010, by Peter de Wit.

Last night I decided to write about Ascki's life as I sat with her on the couch watching the sun set over the nearby hill. You see, Ascki is very old now, and running is only a dream for her. It brings a tear to my eye as I see her now and remember the great athletic dog she was for so many years.

Ascki's story starts in 1994 when I first met Heather, the owner of a sweet little heading dog called Dee. As I watched Dee zoom around a course I was judging, I thought to myself, gee I would love a dog just like that! My luck was in, it turned out Dee was pregnant. I booked a pup on the spot.

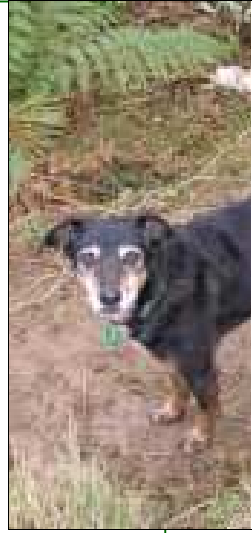
And so the story of Ascki began, she was always a lucky dog. Ascki has always loved people and played heaps with our two very young children and with Moss our Border Collie pup we got just 2 months later. It's always great to get a pup in the spring because you can do so many outdoor things with them. That summer we went for so many walks, to the river, beach, racecourse and also in the bush.

Of course, Ascki was destined for the agility ring, and training began very early on. A video tape called pups progress was obtained and the training programme followed for many months. I'm sure that Ascki has always considered agility just a game she gets to play with me, she never wanted to stop.

She started competition in early 1996, her big splash being the Easter Zone 2 NDTA fundraiser at the Napier club. I'm pretty sure she won just about everything she entered and her career was of with a bang. The Hawkes Bay was always a successful venue for her, maybe that's because she was born there. I remember one special weekend. I had sprained my ankle just before the weekend, but decided to compete anyway. I couldn't walk, let alone run on the foot, distance handling was required and one very smart dog. So, as I hobbled a metre here and there as Ascki did the courses. She was a star and did so very well that weekend.

Speaking of distance handling, I remember a competition Kate Bibby and I had one day after a competition somewhere. Kate was a well known extreme distance handler, so I challenged her to see how far she could get Barney around the course from the start line. Of course she won but Asckii was only a jump or two behind Barney.

Ascki was first in an NDTA team in 1996 as a two year old, at a time when the 3 top dogs in the zone were picked for the team. She went on to represent Zone 3 many, many times, and was in the winning team in 2001. Ascki won the NALA individual competition in 1997. She was the winner of the Sarah top dog trophy at the NDTA in 2003 and the winner





of the senior trophy at the National Dog Show. Ascki was the inaugural winner of the NAC in 1997 and backed that up with a win in 1999. I said she was lucky, in the NAC final in 1997, she jumped too big on the second to last hurdle and landed about a metre from the final hurdle. She just jumped like a kangaroo and cleared the final hurdle and then proceeded to come and give me the traditional heading dog nip that she gave for every clear round.

To achieve all these things we travelled the country together from Invercargill in the south to Auckland in the north. However Ascki established her preferences, never in the trailer when it was moving, not the back of the station wagon, but the back seat, often sitting between the kids. Once we stopped on the desert road for a break and could not see Ascki anywhere in the car. I must admit there was a fair amount of panic and thoughts of travelling back to Taupo to look for her. With some more searching she was “found” buried underneath luggage and firmly stuck. She was never a noisy dog. Once she trapped herself in the toilet, and was

in there for half a day before being found.

Ascki was also a star on TV. She was on the opening sequence of Tux Wonderdogs as a 4 month old puppy, and then a competitor a few years later. On our way home from the Southland NDTA in 1999 we stopped in a Dunedin motel for the night. The next morning as I got Ascki out of the trailer for a walk, a small voice behind me exclaimed, “Is that Ascki?” Turning around I saw a child about 4 years old. “yes I said” and spent the next hour watching him and Ascki playing in the car park. They even had their photo taken together. As I said Ascki loved kids, she would be the soccer goal keeper for Jono as he practiced shooting goals for hours, so this kid was no trouble for her. Later Ascki performed on Superdogs in the Southern Alps and on What Now with Nicola, when we organised a kid’s agility competition for the programme.

An Agility Grand Champion with over 70 challenges, Ascki had to retire from agility at the NDTA in Christchurch 2006 aged 12, due to her fading hearing. She was perfectly able to compete and proved that by being placed 5th in Intermediate that weekend. She has enjoyed the past 4 years. She owns the couch that sits in the sun just for her. Time has moved on and her body is not what it was. In the mornings she will run around like an out of control teenager, but by midday she is stiff and sore and moves slowly around our place.

RIP Ascki August 1994 to March 2011



Top Ärf Report—by Kim Orlando-Reep.

The problem with February is it only has 28 days, which explains why I was so frantic and short of time at the end of last month. Had to do a little grovellete to Karen as I was unable to send in the report due to the failure of our satellite dish, which apparently was full of rain water, leaving me without an internet connection for a whole week - don't know how I survived – so here's a bit of news for both months.

The 2nd of February marked a truly historic occasion with the inaugural class of a brand new agility club – Huntly and Districts - the first combined agility and breed club. This was originally the brain child of Pam Douglas, who wants to create a dog club to include every kind of dog sport. Alan and Mel McClumph and I were roped in to kick start this new club, with the addition of few experienced handlers, mostly moonlighting WAG members, who came along to support us and provide inspiration to the keen group of beginners who turned up on the first night. It's agility at it's best – new dog owners eager to learn and huge support and enthusiasm from the Huntly breed club itself, with many members turning up just to help or watch. We're coming to the end of our first term and already there's a great club spirit.

Cambridge

This event held on the 12th and 13th of February is arguably one of the most popular events of the year and always well attended. It certainly lived up to expectations from a social point of view with some of the entertainment provided by Lyn Sayer, who at prize giving, decided to test the strength of the timber rails round the clubroom decking by trying to remove a section with his head. Unfortunately, the rail came off best and Lyn was left prostrate and bleeding, but no doubt enjoying the attentions of the various trained professional health workers who rushed to his side. He did perk up a bit when his Jumpers B win was announced, but Christine was not about to allow him to do any more leaping around....so after a quick visit and inspection by the St Johns Ambulance staff, he was whisked off to Hamilton's Anglesea Clinic for repairs and maintenance and returned very quickly looking almost as good as new.

It then became quite difficult for anyone else to achieve anything quite so spectacular, but handlers who had multiple wins include Di Stephens with Turbo and Elaine Rodhe with Bolt who had 3 wins with Elaine and one with Hayley in the YKC. Also Ross McBeth with Count with 2 wins – but he's Zone 2 so I'm not allowed to mention him!

Lyn with a flash bandage and helpers (left) after collision at Cambridge



I was disappointed not to be able to go to the North Shore/Hibiscus Coast shows – they have lovely ribbons and good prizes and I'm usually lucky enough to come home with one or two.....but it's difficult to explain to friends you haven't seen for years and who've travelled 15,000 miles to see you that you're not available at weekends as you have to go to a dog show....

Tauranga

Arriving at Tauranga tourist park right on the estuary around the time of the Japanese earthquake it was a little disturbing to be told to stay away from water and beaches.... However, it didn't dampen the festivities, although the scenes of devastation on TV were pretty sobering.

With an early start, beautiful sunny weather and great organisation, the single agility event and Jumpers finished in early on the Saturday leaving plenty of time for dog walking and socialisation. However, there were a few handlers caught out early in the day with the later start of Ring 3, which began with maxis. By this time the other two rings had run their minis and midis and were on maxi as well, leaving some people with multiple dogs having all their runs at once. Apparently I'm told, the ensuing exhaustion was quickly alleviated by purchasing a large piece of Bailey's cake from the canteen.

Down on the waterfront on Saturday night, Counties supporters were politely given a 10 o'clock curfew, not that we were rowdy or anything – just either celebrating or commiserating and discussing the finer points of handling.....well, some of the time. The good weather continued through Sunday and we again finished in good time. Since the splits, prize giving has become something of a nightmare if you're trying to report who won what – it used to be comparatively easy to remember, but now with 3 or 4 winners per event, it's easier to lose track, so I apologise in advance for forgetting anyone (especially as I'm writing this nearly 3 weeks later, at 3.53 am when I'm not at my most attentive)

Memorable moments included Vicki Wilson's Aussie cattle dog Axle, enthusiastically roaring off the end of the crossover in Novice and grinding to a halt, only to find himself about a metre from the end of the plank. Without taking his eyes from Vicki's face, he reached out with one back leg, feeling around with a paw, searching for the missing contact. He then carefully hopped backwards hoping she wouldn't notice, feeling for the contact at each hop, until he found it. It was a classic! Vicki was not impressed!

Lyn Sayer, fully resurrected and in fine form again, escaped any further damage to his person by avoiding contact with wooden surfaces and also by wearing nifty head protection with a wide brim to warn him of any impending predatory attack by malevolent parts of the clubrooms. He'd better watch out too - as Christine cleaned up with 2 senior mini wins over the weekend and may be on the way to being the family's most successful handler of 2011.

Justine Dale, back on the microphone, has definitely missed her vocation in life! And after all her plugs, even I could remember the name of the sponsors!

The lowlight of the weekend for me was my dogs, particularly Scud, developing the squitters, or as my small daughter used to say, had a "Dire Rear." Scud had such a dire rear that I had to carry a large bottle of water around with me. I tracked it down to the fact that on Saturday night I had given them some pigs' ears I'd received as a gift - to occupy their long evening in the trailer...Upon examination of the packet and the remaining ears, I discovered they were from China. They were either exceedingly ancient - maybe from the Ming dynasty - or had travelled by the scenic route on a slow boat. Needless to say, I won't be giving them any more of those!

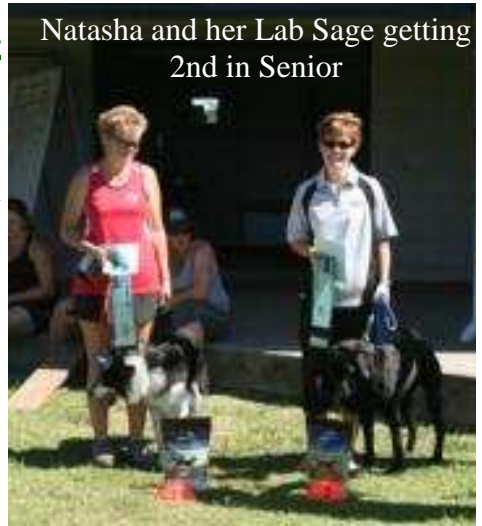
Unfortunately, the results don't seem to be on the website, which gives me an even better excuse for forgetting to mention prize winners, but I do know that Susan McKay had a win in senior and her second challenge, and Glenys Brown, from Kerikeri got a 4th placing with Lace in her first Champ show.

The most memorable part of prizegiving was the good old agility soaking of Alan McClumph and Melanie Held - in celebration of their marriage the following weekend. This time it was slightly more refined than the usual deluge of water - party poppers, sparkling wine and coloured confetti that stained hair, skin and clothing - All good clean fun as long as you weren't on the receiving end! LOL!

Can't finish my report for March without mentioning Keri Neilsen's great achievement with Rain. Unfortunately I wasn't at Nor'west - more pesky visitors - so didn't get to see Keri and Rain obtain their last ADX to become Grand Champions. Well done to both.

Central North report— by Mel Mankelow

In February for Taupo we went to stay with Lyn and Christine which was great thanks guys !!! the first year with 3 rings it seemed to work ok things ran well and there were some great and some interesting courses. Some great weather very glad the lake is so close as I think everyone went for a dip at some point over the weekend, some great results from lots of people Amanda & Zip had a great win in B Jumpers only one more to put her out, Jane & Cam having some great runs with Roxy she is doing some great stuff, also Chelsea managing



100 challenges with Quest so was in for

a wetting, the usual boys there loaded with buckets then she made Quest up to Jumpers Champ so more fizzy wine to add to the water the another rinse off with water, she wasn't the only one in for the buckets this weekend Lyn had made Jamie up to champ a few show's ago but not realised so he was picked up and thrown in the paddling pool then had a few buckets to add to it, and then just when we thought we



had finished with the wettings Trish got her last challenge to make Bindi up to Champ wow what a weekend and what a great achievement Trish has had a real hard time with Bindi over the years but they came out on

the wettings Trish got her last challenge to make Bindi up to Champ wow what a weekend and what a great achievement Trish has had a real hard time with Bindi over the years but they came out on



Mel and Allan McC get a wetting before the big day!

top this weekend and yes Jason was first to get in for the soaking. Well done everyone we seem to be having a champ a weekend this year which is great !!!!

Tauranga & Mount Show

Our club and Tauranga show always one of the big ones of the year lots of competition very well organised as normal both clubs work very hard and lots of other helpers as well. Justine is great on the microphone really gets everyone going the show went well the courses were set up with plenty of time to walk them some good courses and some not so good ones.

Chelsea had some great results all weekend with all the dogs I do think Ike may need some training on the see saw he seemed to be very confused about which end was which and what part of his body should be on there, I so love watching him he is such a crazy boy ... think we will have to watch if his puppy's have picked up any of his crazy ways !!! Natasha and Sage had an amazing weekend what a cool Lab he is a win in B jumpers and a 2nd in Senior getting himself a challenge well done. The small dogs had some good results Christine & Tehlulah two 3rds in Jumpers B and two wins in Senior also a 3rd with Siri in Jumpers C go the poodles. I must say that some of those small dogs really can run although there was one at the weekend that was trying to do handstands against everything and everyone very cute !!!

Some other wins of the weekend Amanda & Zip Senior 2 we are counting those challenges !!! Also Ross & Ice Senior 2 not bad for an old boy !! Is that Ross or Ice !! I had a interesting run with Breeze thought I would try and be clever and serp a collapsible tunnel all I will say is that it didn't really work out I ended up being taken out but I did carry on with the course just had to visit the physio the next day Did give a few people a good laugh tho seem to be getting a reputation for falling over just glad this time it wasn't caught on video !!!!!

We also had a wetting but not for the normal reason Mel & Alan were getting married the following weekend so in true Agility style they got a soaking ... congratulations to them hope they have a great married life together

WAG Champ

We decided to only go to WAG for the Sunday still lots of work to do on the house, although when we woke up to pouring down rain there was a slight hesitation about getting up to go and do Agility but we went and very glad we did the weather was amazing in Hamilton even a bit too hot at times, nice to see some different judges Teresa Ford from down south and Carl Ranford there courses were great was also nice to be able to catch up.

I had some time to sit and watch some runs for a change when you run more than one dog sometimes you seem to be always trying to get to the next run and don't get time to watch other people, saw some really nice Novice runs Kim & Spider doing some great stuff and winning both the Novices the Intermediate was also a

good one to watch a very fast course and lots of great clears some very close times between them. Really enjoyed the day and a nice early finish well do the WAG team very well run show !!!

Looking forward to Rotorua next weekend the weather is supposed to be good !!!!

Lower North Report-by Sandra Mohekey

First, many thanks to Liz Tolhurst who compiled the profile of South Rangitikei Club printed last time. I hope we'll be able to profile a few other clubs from our zone in future issues. Hint, hint, looking for volunteers!



Upper Hutt Champ Show March 5th and 6th

This triple agility and double jumpers with an AD attracted a lot of entries so the competition was fierce. Saturday was wet but mostly warm because there was no wind. Happy competitors included Elaine and Merlin (who is now a more motivated dog in the ring) with two novice placings and Hutt newbie Vicki and Soren with a second in novice. Katherine and Cy4 won a non split starters which gave her maximum cheer. Kaylah's novice win with Ollie put her into senior.

Sunday was very wet – the campers had had a rough night. However it cleared up and dogs continued to move up the scale. Merlin's C win put him in B and Kaylah won another novice – not that she needed it. The alliterative Kevin from Kapiti won a C and a novice – or should that be a K and a novice? Katherine and Cy4 won another starters which put them out – a very successful show for them. Diane was proudly claiming 100% CRs this show when it looked like there was a faulted round she hadn't known about. Fortunately this was cleared up and she was proven to be as faultless as ever. Penny threw the Dice and won B and got her first AD. Carol's Mine and Denise's Lex also got their first ADs; whilst Emma's Riley got his last. There were a pleasing number of AD successes; congratulations to you all. A lovely moment at prizegiving came when Eileen, collecting her second place in Jumpers C, was asked to stay behind so the crowd could sing happy birthday to her. Top dogs included Kaylah and Ollie as top maxi team and Sharon and Diva as top mini team.

Napier Champ 26th and 27th March

The zone threeers who attended agree that there was a great atmosphere at this show. The club worked hard to provide two enjoyable days of competition, despite the change in the weather. Lesley and the lovely Floozie got a starters win, Kaylah got a bonus novice win with Ollie and Libby won out of C with Maybe.

Hurricanes Fly

I attended my second ever fly tournament as I've been wanting to give Edon, who has bad hips, something she could do. It was a lot of fun and I'm looking forward to my next one. The happiest competitor of the day was probably Anne who, with Jed, beat out Seeka and Mya to win one of the more senior events. Louise, however, after a few nervous moments before her runs, was happy to make Bee up to fly champ and Rebecca announced she'd realised she'd gained a title at the last show but hadn't realised it. Edon even got a ribbon as a semi finalist! (But she was truly unclassified by Marian's dog who won Beginners.) Mike is still chasing his title with Rapid – better luck next tourney!



Anne Packer and Jed

Horowhenua Champ 2nd and 3rd April

This triple agility, single jumpers show was hot, hot, hot with sunny weather and splits in everything except senior 3 and jumpers A. It was also a right champion event. Two dogs were made up to become agility champions; one of those getting a wetting was Wanganui's Shane with the speedy little Josh.

Link to Lloyd Pallesons video of the wetting.

http://farm6.static.flickr.com/5255/5584165201_4e54d55f02_m.jpg

In addition to those finishing their journey to champ status, a number of newish dogs gained their first challenge or clear

Two new Champions at Horowhenua Jazzy & Josh



round in senior on their path to champion, courtesy of some challenging (pun alert) courses and skilful handling. This includes Rae and Breeze from North Taranaki who won senior one; myself and Niko who won senior two (I kept looking at the board because I thought I was seeing things); Shanice and Trudy got a second in senior and Shanice and Zee won senior 3, which was not split – watch this handler and her dogs at future shows!

On Saturday the results in starters included in novice Aprille and Smarty Pants got their second win, whilst Kaylah and Ollie got their 7th or 8th. Michelle from Hawera was rewarded for her travels; she took out a first in novice. In intermediate Rod and Polly put more than the kettle on to take out one first placing, whilst Jane got greedy and got a first with Ch'lee and a third with Samson. Peter and Quick saw off the out of zoners for a hard fought win, and Jenny's Shade, running with Andrea whilst Jenny's out of action, won a ribbon in maxi. Jenny says she'll be heading back to the surgeon in a few weeks and then will know more about when she'll be back in competition. Good luck Jenny; we're looking forward to seeing our zone team member back in the ring.

On Sunday Kevin's second win put him and Tara into intermediate and Catherine and Cy4 got a bonus win; but the star of the starters line-up was new kid on the block, Diane's Jamaica, who after some wonderful training runs on Saturday got it all together on Sunday and won starters – not bad for her first show. Louise's "puppy" is a week younger so she has to wait a little longer to get her baby in the ring. In novice Aprille got her third win with Smarty Pants and is now in senior! Libby and Maybe got a bonus first in novice; this speedy combination had already won into senior. Kaylah and Ollie, after all their wins, got pushed into second in novice – clearly this team has peaked – not! It has been nice to see Kevin and Antz back in the ring and he looked pleased with his second placing in a very good intermediate field. Liz and Shandy achieved their first C win. She wonders if she is the only person with a senior dog still in C. Is she? It is just as well Shandy was in the good books for her win as poor Rod was busy wrapping up his wrist during prize giving. Shandy scratched him to get his attention because she likes him. Glad her big brother is a little gentler. Bronwen produced a double act of first with Taz and second with Jenna, whilst Lisa from our host club took time out from announcing other people's results to announce she'd got a second and a third in C. B featured Shanice and Trudy with another win and Polly and Zip also zipped into the winners circle. Niko and I got our second B win – yes Mike, I'm still in B. I counted my certificates and don't have enough to replace one B win – yet. Louise won A. I think this was meant to Bee or, as someone else said, "about time!" Well done Louise, the smile said it all.

The top dog awards included Katherine and Cy4 for starters, Kaylah and Ollie for novice and, er, a mistake for senior which, if nothing else, meant we could tease Marian about her unbelievably outstanding senior rounds.

Canterbury Tails by Sue McKee, Teezsa, Rez and Switch

Not much to write about this time, with the cancellation of CCOC's champ event after the devastating earthquake, things have been very quiet on the agility scene. CCOC instead held a fun day and this was well attended, people just wanted to get together and have some fun after the harrowing few weeks we have all had. There were lots of events although I only stayed until 3.00pm, and I believe it went until 6.00 or so, with cross country, swap a dog, random pairs and junior handler events.

Waimak Jumpers x6 and fly tournament

Nice to get back into the swing of things and feel a bit more like "normal" activities are starting again. Lovely courses by our judges, Keri didn't bring rain with her this time, although the weather forecast sounded terrible during the week but fooled us all and it was stinking hot on Saturday and overcast with a few very brief spits of rain on Sunday. I didn't need a raincoat even, and the weather was kinder for the dogs being overcast. Jumpers B was split, but we're lacking in numbers in C now with not enough mini and micro dogs – there were plenty in the taller group, as there were 76 dogs in most with no splits, so anyone who got a placing deserved it, that's for sure. Some good dogs graduating up to Jumpers B and A over the weekend. At the end of Saturday we ran a fly tournament, with a fairly large number of entries. We don't have many tournaments in the South Island so it was good to give people a chance to earn some points. The competition was hot with Louise and Vino taking the winning flag, but not without poor Vino collapsing in the heat after his mammoth effort, which gave us all a fright. Thankfully he recovered and we held prize giving the next day, poor little guy, no one wants to see their dog suffer like that, but it was hot and he had had a lot of runs with not much respite in between.

Next month is a huge month with SCDTC, CCATS and Selwyn. I'm not travelling to the Nationals, think there's enough to do just here at home.

Central Bark By Linley Barrett, Kliff & Fluke

Nelson Ribbon Trial 5th March

Well the day dawned threatening nasty weather but as the morning rolled on thankfully the weather gods were on our side and it turned into a lovely day. Nic Furby was our judge for the day. Lots of our newbie guys giving competition a crack which was great to see and Diana M and Kite (our not so newbies anymore) did a killer run to take out the elementary B - time to move up guys. Jane Norton and her speedy Goldie won the Starters and the Flukester and I took the Novice. The upper levels in the agility and jumpers went to Tarsh Neame and Trico or Speed (which Nic had to point out – my dog, my dog hehe). Yay to Haddy and Lily for winning the Jump C. Thanks to Nic for doing the judging for us and he put on some great courses. Am afraid I did not make the trip to Blenheim the next day, so I am unsure of results.

Waimak Jumpers

Just got back from this event. Has been a long while for me competing in a champ event. Thoroughly enjoyed it. The judges and courses were great. Thanks to Sue McKee for running the Fly Tournament – I loved it, even though the weather was pretty darn hot and muggy but we survived. Congrats to Lou and Vino for winning the Fly! Go Vino man! I won't go into any more detail as I am sure Sue will report on this more fully.



Below: Nelsonites in their red and black supporting ChCh

Left: wee Zach in his tee-shirt (I'm not trying to be difficult—it comes easily!)



AGILITY MOST IMPROVED THIS MONTH
Jen and Nicola Bell from Horowhenua, a leap
of 268 places.
WELL DONE!

An E or D Over Easy

A guide to what earns disqualification/elimination in the ring.

By Sandra Mohekey

There are a number of ways to earn you and your dog what some call an elimination and some call a disqualification! Some of them are mandatory, which means if you or your dog do it you must be eliminated; some are not, which means it is up to the judge whether they eliminate you or not.

Fouling in the ring. This rule is directed at the dog not the handler but it's not a good idea for either of you.

Off course. Back jumping or in another way doing the equipment in the wrong order. Again, this refers to the dog. Although some judges say they'll eliminate you if you go under the dog walk or jump the tunnel or some such thing.

Wearing danglies on the collar. This is a safety precaution which is also directed at the dog; handlers can run in a dangly collar if they like. Or anything else I guess. Is footwear now compulsory? I think it is. Is any other clothing compulsory? Don't think so – but if you need to know ask a judge for yourself! I didn't like to in case they got the wrong idea! Seriously, just bowl up to one of them and say "Do I have to wear clothing?" Let me know the response.

Double handling. Someone outside the ring may not help out with how the course is run or by telling the dog what to do. This does not apply to all those ringside experts who comment on a run, it refers to saying things those in the ring can hear and react to.

Training aid in the ring. A handler/dog may not take toys or food into the ring.

Three refusals. If the dog refuses to do or goes past a piece or pieces of equipment three times it is strike three – you're out!

Starting with the dog outside the ring ropes. The dog must start in the ring. Some judges let you have the dog's tail outside, some don't. Just ask if, like me, you have a large maxi dog with a long tail. Only one judge has ever said no, so far.

Maximum time. Taking longer to do the course than the maximum time the

judge has set. The Maximum time is the standard course time x 1.5. No, you really don't have all day.

Harsh handling. Physical or verbal abuse of your dog which is judged to be harmful to the dog. This includes yelling or shouting if the dog's reaction indicates it is frightened. The harsh handling does not have to be in the ring for a complaint to be made which could end your competition for the day. So punishing your dog by pulling it along by the neck with its front feet dangling is a very bad idea – for many reasons. Analysing what's going wrong and retraining could work better.

Starting before the judge is ready. This is one of those discretionary rules. It is up to the judge whether they D you or make you start again or not.

This information was provided with the hope that if you know what the elimination worthy actions are, maybe you can avoid them a little more often. Or at least you'll know why you were eliminated!

My thanks to Rod for answering my D/E questions so I could explain it to you. Any errors are mine not his – my note taking got a little random.



NALA LIBRARY.

Books

Peter Lewis Teaching agility
 Clean Run, Workbook- Introductory, Intermediate, Advanced
 Clean Run, Games book
 Clean Run, Course design book
 The Clothier Natural Jumping Method, by Suzanne Clothier
 Jacqueline O'Neil, All About Agility
 Christine Smith, Your Secret Coach
 Building Blocks for Performance
 Peak Performance - Coaching the Canine Athlete M.Christine Zink
 Jumping from A to Z M. Christine Zink
 Course Analysis for Agility Handlers Stuart Mah
 Ruff Love Susan Garrett
 Shaping Success Susan Garrett
 Dogwise John Fisher
 Excel-erated Learning Pamela Reid
 Developing Jumping Skills

VHS

Ruth Hobday, Pups progress
 Ruth Hobday, Advanced control exercises.
 Puppy Love - Raise your dog the Clicker way.
 Greg Derrett Foundation Video
 Greg Derrett, - Great Dog, Shame About the Handler

DVD

4 on the Floor
 2x2 Weave Training
 Agility Fix It, Contacts & Weave Poles
 Agility Foundation Training
 Best of the 2006 FCI Agility World Championships
 Best of the 2007 FCI Agility World Championships
 Contacts: Bridging the Gap Between Training & Competition
 Crate Games for Self-Control & Motivation
 Foundation Jumping 4-DVD Set
 Foundation Training for Agility 3-DVD Set
 Great Dog Great Handler, The Winning Combination
 Great Dog, Shame about the Handler
 How to Win at Gamblers and Snooker
 On Course to Excel
 Reliable Running A-frames
 Success with One Jump 2-DVD Set
 World Class Weaves—Joe Canova
 In FOCUS Crying for Control
 Go the Distance Vol. 1

LIBRARY ENQUIRIES

DARRYL JEWISS, 33 Bell Rd,
 Lower Hutt 5010 , ph: 04-972-7701.
 Email: djewiss@paradise.net.nz OR
 library@nala.org.nz

New Zealand Association of Rally-O



RallyO is a sport that requires the dog and handler to negotiate a numbered course without direction. Handlers walk the course just like in agility and the dog is timed also as in agility. The exercises that need to be performed include basic ones such as sit, down and walk closely to the handler, but also include many of the foundation agility exercises such as circles, spirals and serpentine around cones. To take part join either NALA or NZARO.

To receive the complete NALA magazine including the Rally-O supplement you must be a full member of NALA. To receive the Rally-O supplement only you need to be a member of NZARO. Any club member can judge. Anyone judging must make themselves familiar with the *NZARO Handbook*, available on the website www.nzaro.webs.com

NZARO has recently introduced two new types of competition, the Zoom course and the Handy dog courses. The zoom course is a traditional Rally course without stationary signs so it is a fast moving course, especially good for those older dogs who find sitting a pain!!

The handy dog competition series will involve some new signs, many based on the Canadian rally organisation CARO, as well as a few KIWI signs! Included are the tunnel, weave and a ramp.

We will be introducing some of these new sign over the new few months and discussing how to train them and judge them too!



NATIONAL AGILITY LINK ASSOCIATION

APPLICATION FOR MEMBERSHIP 2011/12

Please circle the amount being paid and fill in form neatly

Month	Home Posting	Club Posting	Family Membership	Digital subscription
Annual sub	\$ 38.00	\$ 26.00	\$ 10.00	\$ 16.00
April - July	\$ 38.00	\$ 26.00	\$ 10.00	\$ 16.00
August - November	\$ 25.00	\$ 15.00	\$ 5.00	\$ 10.00
Dec - March	\$ 10.00	\$ 5.00	\$ 3.00	\$ 4.00

Membership must be received by the 27th of the month to be current for that month

Receipt Number

Home Posting - Delivery of 1-4 magazines to the same address

Club Posting - Delivery of more than 4 magazines to the same address

Family membership - For second and subsequent members of family (no magazine)

Digital subscription - membership and access to magazine online.

Junior membership (under 18 years old) - No charge if another member of the family is a full member. Otherwise rate is half the applicable family rate (no magazine unless full rate paid)

Name (Full member) _____ (JUNIOR member) _____

(Family member) _____

Address _____

Ph No: () _____ E-mail Address _____

Club Name (in full) _____

Dogs Pet Name	Breed

Forward to: NALA Treasurer, 630 Te Kowhai Road, RD8, Hamilton 3288

Any enquiries or transfers required, please contact Fiona Ferrar (f.ferrar@actrix.co.nz)

Direct Credit

Payment by Direct Credit will be accepted for existing members only, and only when paying the full year subscription. NALA bank account is 03-1571-0025134-25

You MUST be registered on the NALA website (www.nala.org.nz) to use the direct credit option.

The Direct Credit payment must include your NALA Membership number (obtained from www.nala.org.nz) and your name.

ENSURE that the following details are included in the Payer details (the Payer is you!)

Enter your membership number in the Particulars field on the bank statement

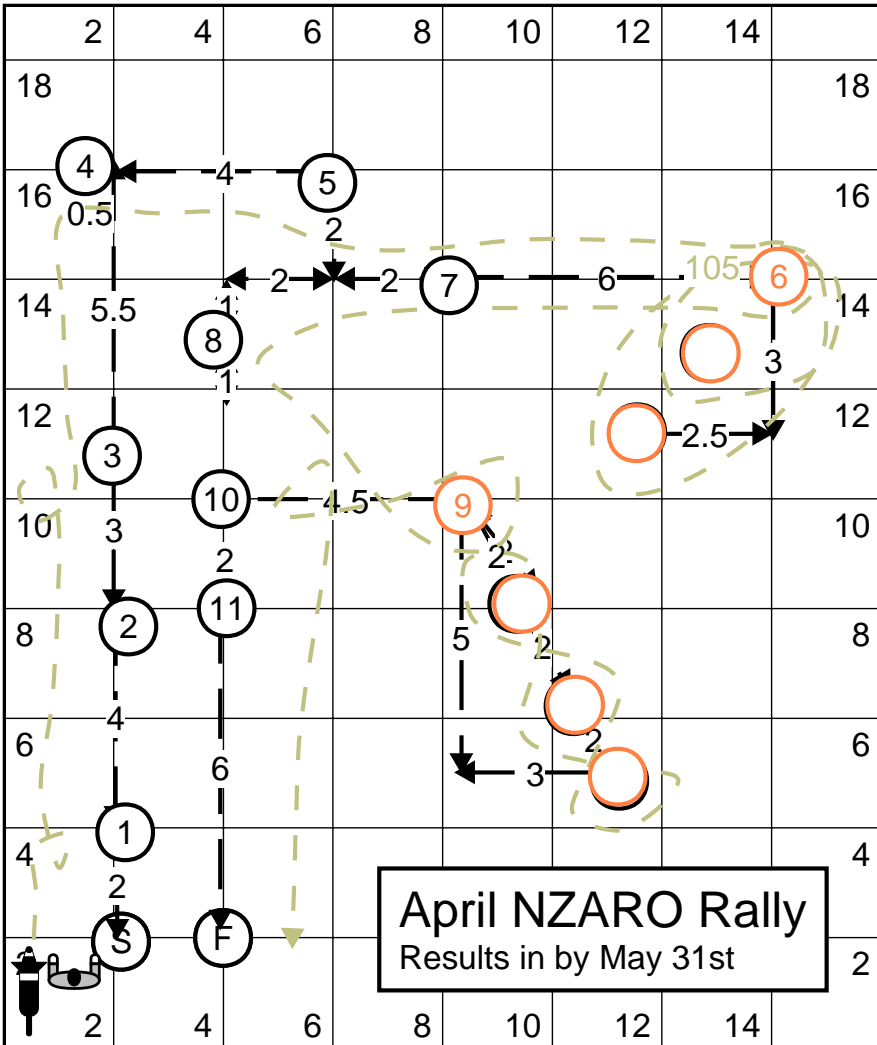
Enter your name in the REF field on the bank statement

A separate payment will need to be made for each member

Your membership number MUST BE included on the payment on the NALA bank statement, otherwise it will be treated as a donation

When paying by Direct Credit, DO NOT use this form.

When using the direct credit option, it is your responsibility to ensure that your details and your dogs details are correct.

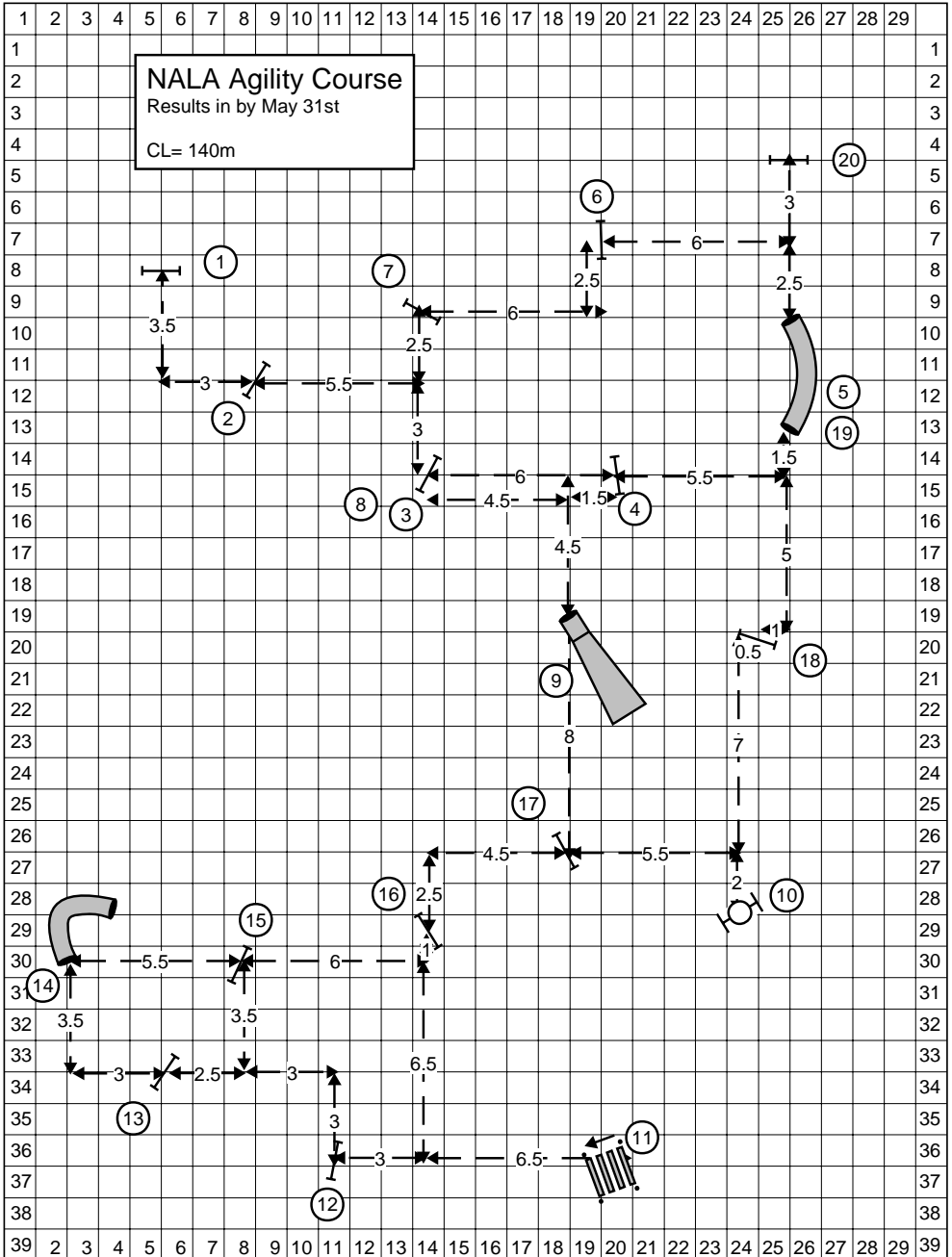


1. 360R (11)
2. Halt-Down dog(4)
- 3 360 L (10)
4. Right turn (5)
5. Moving sidestep right (20)
6. spiral right-dog outside (21)
7. Halt-sit walk around (30)
8. About Uturn (8)
9. Figure of eight - weave twice (24)
10. 270 right turn (9)
11. halt 1-2-3-steps forward (25)

Send Results to Mike Butler.
Email: mbutler@ihug.co.nz
by the 27th of the month.

AGILITY LINK COURSE for MAY

CL= 140m



SPECIAL
PETS
 deserve
 quality
products



Simple, easy online ordering...

FREE delivery direct to your door*

Can't find that something special for your pet?

Petworkz is here to help.
 Give us a call or visit our website

*conditions apply

Check out our
REWARDS SCHEME
for the fastest way to
get free products

All orders go into
 a monthly draw to
 receive their order
FREE

0800 PETWORKZ
0800 738 967
www.petworkz.co.nz


 for pets that shop


DOG AND CAT FOOD

0800 BOSHPET 0800 287 247
 www.boschpet.co.nz


DOG AND CAT FOOD

0800 BOSHPET 0800 287 247
 www.boschpet.co.nz


DOG AND CAT FOOD

0800 BOSHPET 0800 287 247
 www.boschpet.co.nz



NZYKC AGILITY LINK



Organised by Nevenka Paterson nevenka@xtra.co.nz

NZYKC AGILITY LINK Beginners - Under 11's March

1	Zane Paterson	Tana	U/Hutt	6.41
2	Skyla Paterson	Cassie	U/Hutt	7.60
3	Paige Davis	Opal	Cambridge	10.20
4	Estelle Sandford	Molly	U/Hutt	10.50
5	Jess Mortimer	Kola	Nelson	17.17

Beginners – 12 and over March

1	Zina Gota	Jacqui	Tauranga	6.56
2	Dylan Anderson	Samson	H/Bay	6.88
3	Jessica Needham	Lexi	Cambridge	7.58
4	Zina Gota	Tulli	Tauranga	8.00
5	Dylan Anderson	Rocky	H/Bay	8.25
6	Amy Forrest	Sooty	Otaki K9	9.69
7	Zina Gota	Gemma	Tauranga	10.27
8	Dylan Anderson	Jazzy	H/Bay	13.33
9	Zina Gota	Feebie	Tauranga	13.34
10	Danielle Stevens	Pepsi	CHB	15.06
11	Jessica Needham	Zoe	Cambridge	15.52
12	Gareth Brouwer	Jackson	Waimak	20.53
13	Ashleigh McCormick	Toby	H/Bay	24.89

Experienced - 8-11 years March

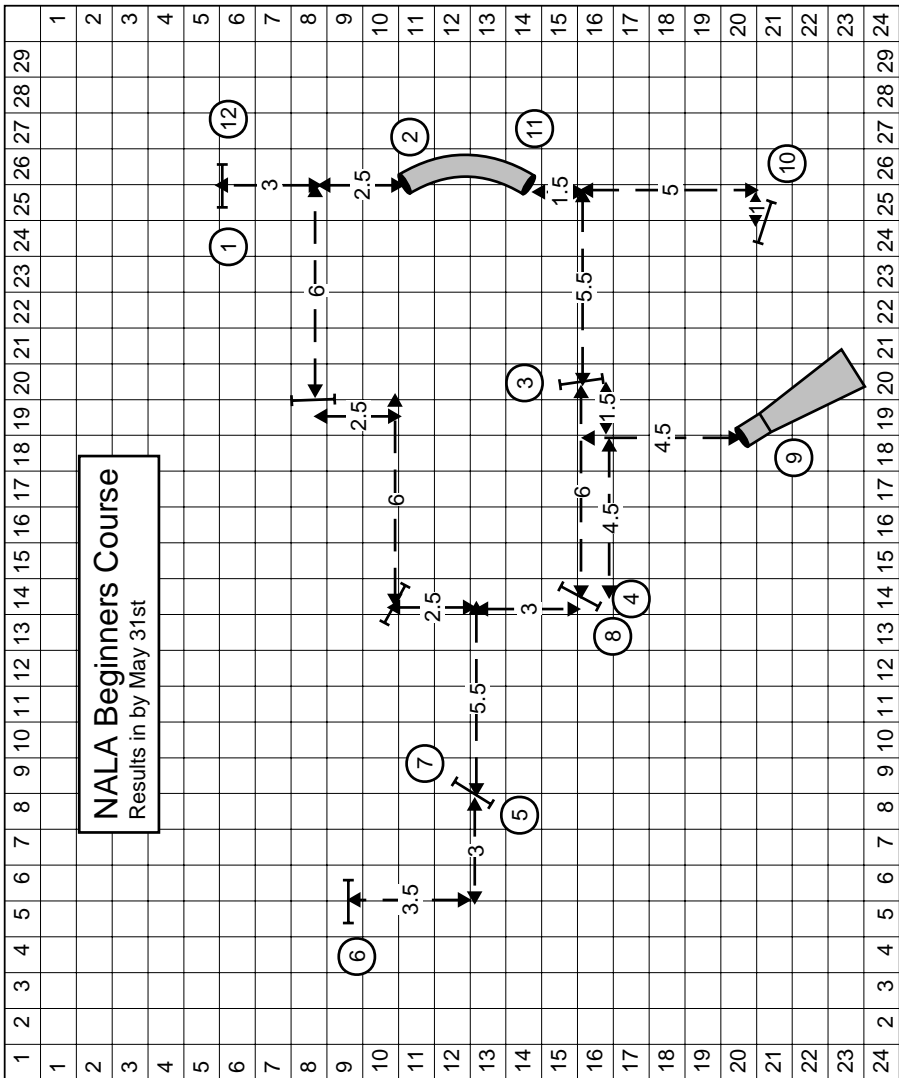
1	Jayden Hishon	Scooty	Mount	42.42
---	---------------	--------	-------	-------

Experienced - 12-15 years March

1	Joe Tompsett	Katie	Cambridge	27.25
2	Lauren Homer	Zac	Mount	35.72
3	Amy Hodgenboom	Molly	CHB	43.64
4	Tom Kelly	Rai	Waimak	76.04
5	Emma Trimble	Bikkie	Waimak	78.80

Experienced - 16-20 years March

1	Chelsea Marriner	Quest	Rotorua	22.28
2	Chelsea Marriner	Ike	Rotorua	31.31
3	Chelsea Marriner	Flash	Rotorua	31.41
4	Chelsea Marriner	Shift	Rotorua	36.34
5	Chelsea Marriner	Spy	Rotorua	37.72
6	Tracey Hart	Jenna	Norwest	37.79
7	Tracey Hart	Jacko	Norwest	52.34



AGILITY CLUB COMPETITION DIVISION ONE

1	Waimak 1	GrAgCh Zoom FD Tee AG CH Tui	Lisa Duff Phil Johnson Anne Godfrey	20.940 22.255 23.527	66.722
2	Mt Maunganui 1	J J Cricket Cheeky Jack	Jan Murden Deb Jackson Jason Hughes	22.319 23.318 23.489	69.126
3	Otago 1	AgCh ADX Jess Zee AgGrCh Pete	Lisa Cross David Cook Anne Bevin	23.356 23.467 23.929	70.752
4	Rotorua 1	Quest Rumur Ike AD JDX	Chelsea Marriner Dyson Beasley Chelsea Marriner	22.280 22.900 31.310	76.490
5	WAG 1	AgCh Sharky Xena Sullie AD	Fiona Ferrar Vern McAuley Keri Wheaton	21.912 26.113 29.041	77.066
6	Cambridge	Ace Katie Opal	Alice Cameron Joe Tompsett Janette Davis	21.556 27.253 30.675	79.484
7	Top DAWG	Seeka ADXS JDX Cider ADXG Mya ADXG JDX	Rebecca Sidwell Angela Denton Rebecca Sidwell	20.920 29.467 33.355	83.742
8	Wanganui 1	Pippa ADXG Pippi Jenna ADX-G	Mark Barrett Jonna Gibson Bronwyn Morgan	21.945 30.471 31.374	83.790
9	North Taranaki 1	Sonic Song Breeze	Jenny Laird Rae Mayhead Rae Mayhead	24.176 29.280 32.541	85.997
10	Nelson 1	Fluke Cloud ADX Sky	Linley Barrett Vannessa Machen Joelene Rushbrooke	27.483 28.899 31.171	87.553
11	Upper Hutt	QuickMagic AgGrCh Tana Myne	Peter de Wit Karen de Wit Peter de Wit	20.250 38.560 38.970	97.780

12 East BOP	Ohce ADX	Martin Bush	34.430	107.740
	Robbie ADXG JDX	Tina Mitchell	36.340	
	Bode	Petra Parkinson	36.970	

DIVISION TWO

1 Napier	Jazzy ADX JD	Kristina Beresford	20.570	78.070
	Dash	Kathleen Graham	24.250	
	Andie	Kathleen Graham	33.250	
2 Counties	Flare	Hayley Rohde	24.937	80.320
	Rocket	Hayley Rohde	25.021	
	Coal	Marie Wales	30.362	
3 Central HB	Fly	Catherine Harty	22.095	83.268
	Taz	Kim Loye	25.179	
	Finn	Jill Payne	35.994	
4 Taupo	Tonic	Sue Willis	20.777	84.970
	Tehlulah ADXG JD	Christine Gabb	29.694	
	Jayme ADX JDX	Lyn Sayers	34.499	
5 Sth Canterbury	Benji	Bronwyn Rumble	28.219	90.452
	Travis	Natasha Coulter	28.320	
	Penny	Jenny D'Arcy	33.913	
6 Hawkes Bay 2	Samson	Colleen O'Connor	29.485	94.629
	Polly	Annette Hildesheim	31.600	
	Romar	Dot Janssen	33.544	
7 Taieri	Bob	Don Leckie	27.870	94.880
	Cheyenne	Rosalie Lock	31.380	
	Blitz	Rosalie Lock	35.630	
8 Blenheim	Mistique	Stephanie Hayes	33.495	107.357
	Brok	Sheryl Vincent	36.352	
	Tricot	Natasha Neame	37.510	
9 Whangarei	Taragh	Ann Kenny	32.320	107.570
	Zito ADXB	Rebecca Roper	36.440	
	Fitz	Ani Van Sinten	38.810	
10 Southland	Jake	Joanne Rennell	36.169	141.039
	Bounce	Rae Evans	46.993	
	Kyte	Rae Evans	57.877	

11	CCATS	Zara ADXB JD	Leanah Magon	39.313	150.375
		Dazzle	Babs Prout	55.027	
		Jessie	Babs Prout	56.035	

DIVISION THREE

1	Wairarapa	AgGrCh India	Dianne Reid	24.850	85.330
		Tasman AD JD	Sharleen Drummond	26.750	
		Roxy	Stacie Clark	33.730	
2	Horowhenua	Jen	Nicola Bell	28.773	89.610
		Ashley ADXG	Penny Nalder	30.063	
		Monte	Sandra Athea	30.774	
3	Wanganui 3	Heydoh	Jonna Gibson	27.833	92.397
		Shaylar FD	Barbara James	32.234	
		Taz	Bronwyn Morgan	32.330	
4	Mid Canterbury	Paddy	B Thompson	25.810	94.520
		Tip	Ian Clearwater	34.150	
		Tess ADX	Tui Clucas	34.560	
5	North Shore 3A	Hiska	M van Rijnberk	23.535	95.661
		Ted-E-Bear ADX	Doreen Webb	31.538	
		Ella ADXG	Bruce Anderson	40.588	
6	Mt Maunganui 3	Silke	Anne Proctor	29.507	101.525
		Bronte	Stephanie McCarty	35.687	
		Ruby	Claire Mead	36.331	
7	North Shore 3B	MacKenzie	Hayley Webb	28.233	102.447
		Lily	Elaine Maisey	35.603	
		Beau	Doreen Webb	38.611	
8	South Rangitikei	Pollyanna	Rod Pearce	32.690	107.720
		Cincinatti	Wendy Taylor	34.500	
		Radar ADXS	Rod Pearce	40.530	
9	Tauranga 3	Breez ADXS JDX	Jocelyn Jensen	32.443	115.654
		Deci ADXB JD	Marion Pope	37.311	
		Gemma ADXB JD	Helen Fabling	45.900	
10	WAG 3	Momo	Stacy Hobson	42.849	131.959
		Bullet	Lindsay Walker	43.230	
		Shakira AD	Susan McKay	45.880	

11 Akarana	ADX Tempest	Aimee Trail	51.850	186.265
	Pronto	Daniela Affolter	66.010	
	Drake	Aimee Trail	68.405	

DIVISION FOUR

1 Canterbury COC	Lexie	Tim Conolly	24.765	87.910
	Radar	Tim Conolly	26.097	
	Loot	Doug Vaughan	37.048	
2 Waimak 4	Charley	Kathryn Sutton	24.053	88.280
	Doogle	Helen Lappin	31.945	
	Robbie	Darren Johnston	32.282	
3 Mangawhai	Pearl	Annette Flannagan	30.400	96.250
	ADX Kay	Jinnie Gailey	30.720	
	Trish	Erin Ball	35.130	
4 Hawkes Bay 4A	Ringo	Dot Janssen	31.464	98.707
	Rocky	Ann Anderson	32.278	
	Leo	Robyn Fargher	34.965	
5 Hawera	Reece	Carol Galliers	26.940	100.050
	Trudy	Shanice Clements	29.970	
	Toby	Catherine Massey	43.140	
6 Selwyn	Jag	Carole Logan	30.090	103.740
	Homer	Penny Hallowes	33.620	
	Roxy	Jackie Bowley	40.030	
7 Dog Sport Rotorua	Delta	Judy Casey	24.700	106.010
	Lazer	Judy Casey	39.310	
	Pride	Jane Nunn	42.000	
8 Otago 4	Vida	Wayne Grant	35.389	116.262
	Tussock	Carolyn Dow	39.834	
	Beau	Dianne Sprott	41.039	
9 CHB Orange Roughies	Toby	Duncan Renner	37.972	122.162
	Betty	Claudia Mason	41.288	
	Besom	Wendy Holmes	42.902	
10 North Taranaki 4	Jasper	Rachel Phillips	36.233	125.770
	Trump	Maree Butterworth	42.453	
	Scarlett	Denise Davis	47.084	

11 Norwest	Jenna AD Zoe Jacko	Tracy Hart Karen Smith Tracy Hart	37.793 48.370 52.340	138.503
12 Tauranga 4A	Tulli AD JD FD Chase ADX JD Cindy	Shelley Clark Jocelyn Jensen Geoff Gillies	45.104 48.660 48.790	142.554
13 Tokoroa	Ben AD Daisy Boo Skye ADX FD	Amanda Benson Simone Bridson Gina Boreham	38.320 51.910 53.810	144.040
14 Otaki K9s	Annie Diva Britany	Fiona Brown Noeline Wagener Sharon Wagener	33.290 67.790 77.090	178.170

ANNUAL AGILITY RESULTS.

The winner this year was Chelsea Marriner with her older dog Quest. Quest was also top Midi. Nearly 400 dogs competed in the Agility competition this year at least 8 times. Jason Hughes finished second with Jack (top maxi) and Natasha Coulter finished 26th with Jonty (top mini/micro)

1 AgGrCh FDGrCh JCh Quest CDX	Working Sheepdog	Chelsea Marriner	Rotorua	54
2 Jack	BC	Jason Hughes	Mt Maunganui	55
3 GrAgCh Zoom FD	Heading Dog	Lisa Duff	Waimakiriri	62
4 Rumur	BC	Dyson Beasley	Rotorua	75
5 Breeze	Collie X	Jason Hughes	Mt Maunganui	122
5 J J Cricket	Heading Dog	Jan Murden	Mt Maunganui	122
7 AgCh Sharky ADXG JDX FDX	BC	Fiona Ferrar	WAG	130
8 Cheeky	Heading Dog	Deb Jackson	Mt Maunganui	149
9 AgGrCh Kay J	BC	Anne Bevin	Otago	199
10 AgGrCh Pete	BC X	Anne Bevin	Otago	205
11 AgGrCh India	Border Collie	Dianne Reid	Wairarapa	217
12 Taz	Heading Dog X	Kim Loye	Central HB	229
13 FDGrCh AgCh Seeka ADXS JDX	Border Collie	Rebecca Sidwell	DAWG	295
14 AgCh Phanta ADXG	BC	Heather Smith	Horowhenua	299
15 EyeC	Border Collie	Daryl Hogg	Hawkes Bay	304
16 AgGrCh Jax	BC	David Cook	Otago	310
17 Zee	Heading dog	David Cook	Otago	320
18 Qwest ADXG	BC.X	Graeme Parr	South Canterbury	342
19 Breez ADXS JDX	BC	Jocelyn Jensen	Tauranga	352

20AgCh Spy ADXG FDX JDX	Working Sheepdog	Chelsea Marriner	Rotorua	353
21Fly	Heading Dog	Catherine Harty	Central HB	374
22Bindi ADX	Belgian Shepherd	Trish Bush	East BOP	383
22Travis	Border Collie	Natasha Coulter	South Canterbury	383
24AgCh Blake ADXG JDX	Heading Dog	Julie McConkey	Cambridge	397
25AgGrCh Tana	BC	Karen de Wit	Upper Hutt	421
26Jonty	BichonX	Natasha Coulter	South Canterbury	424
27Thanx	BC	Debbie McFarlane	Mt Maunganui	429
28Taya	Kelpie.X	Christine Henderson	Nelson	435
29AgCh Cassie	Border Collie	Nevenka Paterson	Upper Hutt	468
30AgGrCh FDGrCh Rocket (ag) JDX	Kelpie	Hayley Rohde	Counties	473
31QuickMagic	Heading dog	Peter de Wit	Upper Hutt	474
32AgGrCh FDCh Flash JDX	Heading Dog	Chelsea Marriner	Rotorua	479
33Bailey ADX	BC	Mel Mankelow	Mt Maunganui	486
34Quest	BC	Sue Willis	Taupo	488
35Heydoh		Jonna Gibson	Wanganui	498
36Bob	Boxer	Don Leckie	Taieri	508
37Benji	Min Poodle	Bronwyn Rumble	South Canterbury	511
37Robbie ADXG JDX	BC	Tina Mitchell	East BOP	511
39AgCh ADX Jess	Collie x	Lisa Cross	Otago	512
40Sonic		Jenny Laird	North Taranaki	515

CLUB COMPETITION DIVISION ONE—FINAL

Plc	Team	Score	Apr	May	Jun	Jul	Aug	Sep	Oct	Nov	D/J	Feb	Mar
1	Rotorua 1	10	5	1	5	1	1	1	1	1	3	1	4
2	Mt Maunganui 1	16	3	2	1	6	2	2	2	3	4	2	2
3	Waimak 1	20	2	7	7	3	4	8	3	2	2	3	1
4	Otago 1	26	1	4	2	8	5	5	5	5	1	8	3
5	WAG 1	39	6	5	3	5	6	7	4	6	11	5	5
6	Top DAWG	47	9	6	6	2	3	9	8	8	7	11	7
7	Upper Hutt	51	7	12	10	4	12	6	12	4	5	4	11
8	Cambridge	57	8	9	8	7	8	10	7	7	10	6	6
9	East BOP	59	4	11	4	9	10	3	6	12	12	0	12
10	North Taranaki 1	64	12	3	11	10	7	12	10	9	9	7	9
11	Wanganui 1	65	10	8	12	12	9	4	9	11	8	9	8
12	Nelson 1	77	11	10	9	11	11	11	11	10	6	10	10

DIVISION TWO—FINAL

Plc	Team	Score	Apr	May	Jun	Jul	Aug	Sep	Oct	Nov	D/J	Feb	Mar
1	Counties	14	3	1	6	4	2	3	1	1	8	1	2
2	Sth Canterbury	17	2	2	5	3	4	1	8	2	1	2	5
3	Taupo	26	4	4	2	1	5	2	5	4	10	6	4
4	Hawkes Bay 2	27	1	6	1	8	9	11	2	5	2	4	6
5	Central HB	28	7	10	3	2	3	6	6	3	3	5	3
6	Napier	41	11	11	10	11	1	5	3	8	4	9	1
7	Blenheim	45	10	7	4	10	6	4	4	7	5	11	8
8	Taieri	51	5	5	7	6	7	9	9	6	0	8	7
9	CCATS	56	6	8	9	7	10	7	7	10	9	3	11
10	Southland	63	8	3	11	9	11	8	11	11	7	7	10
10	Whangarei	63	9	9	8	5	8	10	10	9	6	10	9

DIVISION THREE—FINAL

Plc	Team	Score	Apr	May	Jun	Jul	Aug	Sep	Oct	Nov	D/J	Feb	Mar
1	Mid Canterbury	18	1	1	4	9	6	1	2	11	4	1	4
2	Mt Maunganui 3	19	2	4	2	4	2	6	1	2	2	6	6
3	Wanganui 3	20	4	3	1	8	1	9	3	3	7	2	3
4	Horowhenua	24	9	5	7	3	4	3	5	1	1	9	2
5	Wairarapa	28	10	2	6	5	8	2	4	6	5	3	1
6	Tauranga 3	39	3	8	5	2	5	8	6	8	3	7	9
7	North Shore 3A	45	6	9	9	1	3	10	8	10	0	4	5
8	North Shore 3B	51	7	7	10	6	10	4	7	5	0	8	7
8	South Rangitikei	51	5	6	8	11	7	5	10	7	8	5	8
10	WAG 3	67	11	11	3	10	9	11	9	9	6	11	10
11	Akarana	68	8	10	11	7	11	7	11	4	0	10	11

DIVISION FOUR —FINAL

Plc	Team	Score	Apr	May	Jun	Jul	Aug	Sep	Oct	Nov	D/J	Feb	Mar
1	Mangawhai	12	1	1	4	4	1	2	1	2	7	1	3
2	Waimak 4	14	9	13	2	1	3	1	2	7	1	2	2
3	Canterbury COC	20	2	2	5	6	5	3	5	1	2	4	1
4	Selwyn	33	0	8	6	5	2	5	3	3	3	7	6
5	Otaki K9s	39	4	11	8	7	4	6	6	5	4	3	14
6	Hawera	41	5	3	1	3	11	7	12	9	8	0	5
7	Hawkes Bay 4A	45	0	7	3	8	7	10	11	6	5	5	4
8	North Taranaki 4	64	7	14	9	9	12	4	9	13	6	10	10
9	Tauranga 4A	65	8	10	7	15	6	9	7	15	0	6	12
10	Norwest	67	3	9	14	14	10	8	13	8	10	8	11
11	Dog Sport Rotorua	70	0	12	12	2	14	0	4	11	11	11	7
12	CHB Orange Roughies	78	6	16	13	12	15	11	14	4	14	9	9
13	Tokoroa	90	0	6	10	11	9	0	0	14	12	15	13
14	Go DAWG	2068	0	15	0	13	8	12	8	12	0	0	0
15	Otago 4	3044	0	4	11	0	0	0	0	0	9	12	8
16	Hawkes Bay 4B	3052	0	5	0	10	0	0	0	10	13	14	0
17	Tauranga 4B	3069	0	17	0	0	13	0	10	16	0	13	0



Flygility.. by Allan Rohde

The NZ Flygility Dog Association will be holding its next AGM on 14th May in conjunction with the two day flygility tournament Wanganui are running that weekend. This will be the 15th annual general meeting of the association and looking back I have actually attended all of these except two – the first one and the fourth one both held in Hamilton.

Those early years were a bit shaky for the sport with membership getting as low as 25-30 at some stages. This did prompt the suggestion that the association should be wound up but fortunately the few who were involved at the time decided to persevere. From around 2000 membership increased and was consistently 50 plus. Then in 2006 membership numbers broke through the 100 mark and it continued to rise to the 170 members we had last year.

I have always believed that the number of tournaments on offer had a lot to do with the number of members in the association. You would get new people trying flygility but because tournaments were few and far between, they lost interest in between and drifted away from the sport. If we look back over the tournaments that have been held over the years, we will see that for the first 5-6 years there were less than 10 tournaments per year getting as low as only 4 one year. From around 2006 this increased to around 20 tournament days per year and the past two years has seen this increase to over 30 tournament days per year. Not exact science but enough correlation between the numbers to support my belief that more tournaments = more members.

This increase in numbers has meant that the way we run tournaments has needed to be changed and last year saw tournaments with multiple courses being run at the same time or numbers being restricted. I would not like to see the numbers being restricted become common place which means the multiple course option is something that clubs will need to look at a lot closer at. With the current competition grading system this does become a challenge as often dogs/handlers are running in both classes which can create hold ups at times. I have put in a proposal to change the competition structure which I believe, along with the other benefits, will help with scheduling multiple course tournaments. It will help in that events will always have a group of dogs/handlers that are not eligible to enter and are therefore free to help run the events. We shall have to wait and see how well that proposal is received..

Next Challenge Course – May

The monthly courses can be downloaded from the files section of the NALA group. These can be accessed from the following web address:

<http://groups.yahoo.com/group/NZAagility/files/Flygility/Monthly%20Courses/>

These have been uploaded as PDF documents and you should contact me if you require the courses in a different format.

March Flygility Standard course

1	Sulphur City Slickers (Rotorua)	27.660
2	Top DAWG	29.588
3	Rotovegas Rebels (Rotorua)	29.780
4	Counties Minxkins	30.194
5	Counties Knight in the Sacs	31.609
6	Waimak 1	31.748
7	Counties Ginger Kisses	32.606
8	Counties Just in Kees	33.000
9	Rotorua Dog sports 1	33.530
10	Counties Rocket MacFlickers	33.549
11	North Shore 1	34.390
12	Rotorua Dog sports 2	35.030
13	Wanganui Opals	35.470
14	Mount 1	36.260
15	North Shore 2	38.620
16	Deputy DAWG	38.910
17	Wanganui Goldens	39.000
18	Counties Toss 'm Andys	39.296
19	Taranaki JRS	42.150
20	Otago 1	44.890
21	Rotorua Dog sports 3	46.410
22	Under DAWG	47.078
23	Counties Goofy Charmers	48.452
24	Counties Gins & Tonic	49.820
25	Southland 1	50.470
26	Hawkes Bay 2	54.660
27	Counties Skippers	56.895
28	Hawkes Bay 1	57.896
29	Wairarapa 1	58.150
30	WAG1	58.620
31	Rotorua Dog Sports 4	58.780
32	Norwest 1	60.120
33	Otaki 1	64.590
34	Taranaki Team Tango	72.530
35	Upper Hutt	75.030
36	Wanganui Gems	79.100
37	Whangarei Flyers	85.490
38	Waimak 2	88.946
39	Tga 1	112.330
40	Southland 2	112.750
41	Tga 2	122.830
42	Wairarapa 2	138.290
43	Mount 2	5555.

March Flygility Challenge course

1	Sulphur City Slickers (Rotorua)	29.720
2	Counties Kolts	32.798
3	Rotovegas Rebels (Rotorua)	33.210
4	Rotorua Dog sports 2	34.660
5	mount 1	35.280
6	Counties Mac the Knife	35.338
7	Counties Tippin' Toscas	36.595
8	Taranaki Team Tango	36.780
9	Counties Windi Knights	37.746
10	Top DAWG	38.464
11	Deputy DAWG	38.570
12	WAG1	38.870
13	Wairarapa 1	40.350
14	Wanganui Opals	41.780
15	Counties Messes	45.572
16	Rotorua Dog sports 1	46.370
17		51.190
18	Counties Kiss & Tellers	52.181
19	North Shore 1	56.280
20	Taranaki JRS	58.120
21	North Shore 2	63.730
22	Otago 1	75.370
23	Wanganui Gems	77.910
24	Wanganui Goldcens	91.060
25	Otaki 1	110.810
26	Upper Hutt	137.280
27	Wairarapa 2	204.290

END OF YEAR RESULTS.

A total of 170 dogs competed 8 times or more in the standard competition, and just over 60 in the Challenge competition. Chelsea and Rebecca continued their dominance of the Flygility results.

Std Flygility Individual

1	AgGrCh FDCh Flash JDX	Chelsea Marriner	Rotorua	27
2	FDCh Shift ADX JDX	Chelsea Marriner	Rotorua	33
3	FDGRCh AgCh Mya ADXG JDX	Rebecca Sidwell	DAWG	35
4	FDGRCh AgCh Seeka ADXS JDX	Rebecca Sidwell	DAWG	52
5	AgCh Sharky ADXG JDX FDX	Fiona Ferrar	WAG	60
6	Ringo	Dot Janssen	Hawkes Bay	64
7	AgGrCh FDGrCh JCh Quest CDX	Chelsea Marriner	Rotorua	73
8	GrAgCh Zoom FD	Lisa Duff	Waimakiriri	82
9	FDCh Knight (fly) FDX JDX	Allan Rohde	Counties	83
10	Cheeky	Deb Jackson	Mt Maunganui	100
11	AgCh Spy ADXG FDX JDX	Chelsea Marriner	Rotorua	117
12	Tee	Lisa Duff	Waimakiriri	118
13	Sheeba ADXG	Campbell List	Hawkes Bay	164
14	Jed ADX FDX	Anne Packer	DAWG	168
15	Ted	Rebecca Roper	Whangarei	181
16	Shaylar FD	Barbara James	Wanganui	189
17	McLeod	Paula Nixon	Rotorua	195

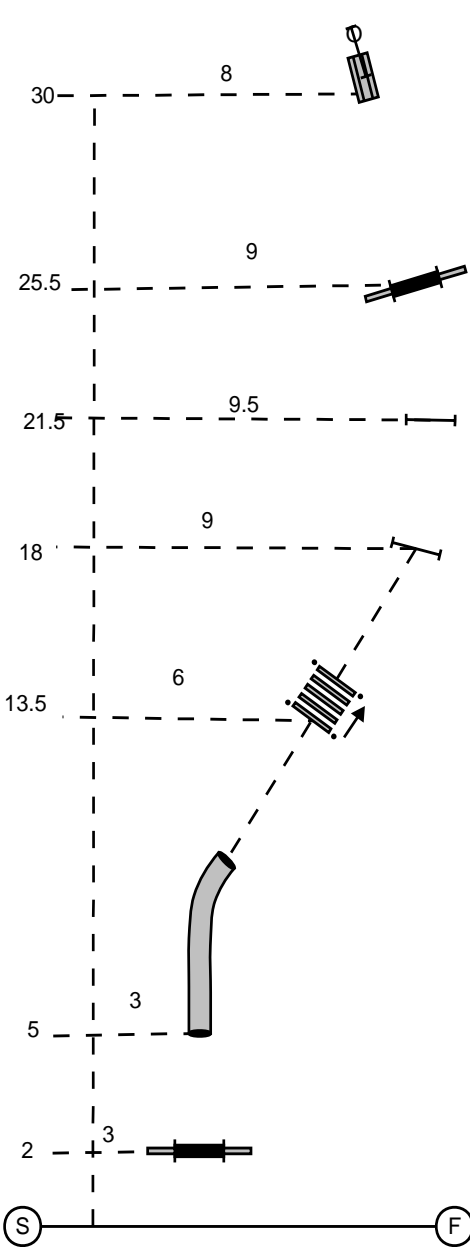
Challenge Flygility Individual

1	AgGrCh FDCh Flash JDX	Chelsea Marriner	Rotorua	9
2	FDCh Shift ADX JDX	Chelsea Marriner	Rotorua	10
3	FDGRCh AgCh Mya ADXG JDX	Rebecca Sidwell	DAWG	16
4	AgGrCh FDGrCh JCh Quest CDX	Chelsea Marriner	Rotorua	26
5	FDGRCh AgCh Seeka ADXS JDX	Rebecca Sidwell	DAWG	33
6	AgGrCh FDGrCh Rocket (fly) JDX	Elaine Rohde	Counties	34

TEAM RESULTS.

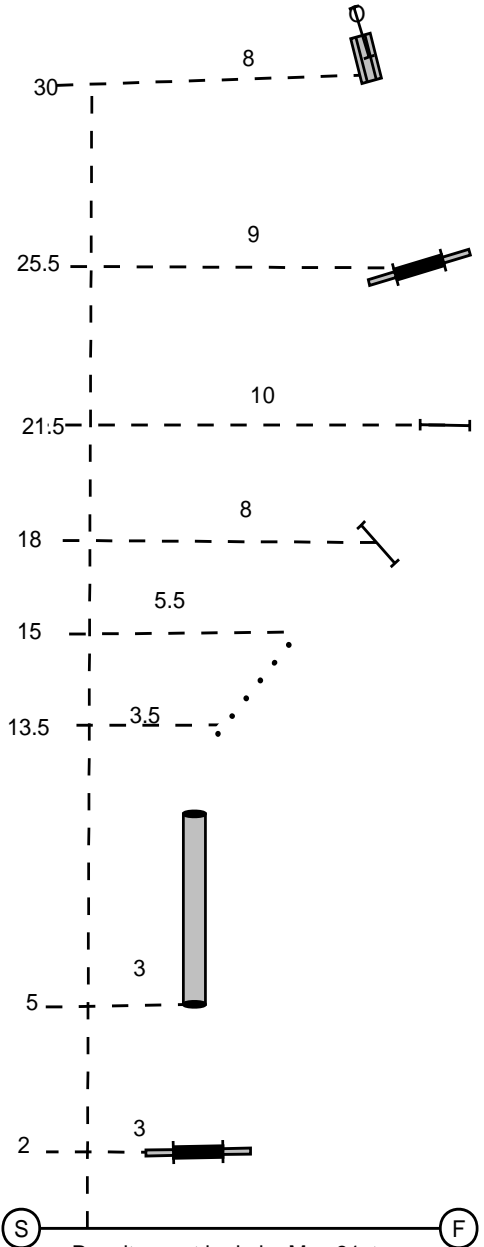
Rotorua, Counties and DAWG dominated the teams results with Rotorua winning both the Standard and Challenge teams titles. DAWG came runner-up in the Standard competition and Counties finished runner-up in the Challenge competition, with DAWG third. There were 16 teams that competed at least 8 times in the standard competition and 10 teams which competed all 4 times in the Challenge series.

STANDARD FLYGILITY COURSE
MAY 2011



Results must be in by May 31st

Challenge course May 2011



Results must be in by May 31st

AGILITY LINK.

COPY: All copy - correspondence, articles, etc should be sent to the Editor. All copy must have the name and address of the contributor. Limit number of words to 500 or one A4 page. Copy may be abridged or edited.

COURSE PLANS – Any member may submit course plans. Supply as Course designer or in scale in black pen on an A4 sheet Portrait size, or Course Design computer format. Publication is not guaranteed.

AGILITY LINK does not accept responsibility for the views expressed by contributors and retains the right not to publish submissions for reasons of space or suitability.

ALL SUBS TO THE TREASURER. Cheques should be made payable to NALA. Payment must be received by the 27th of the month to be current.

EMAIL GROUP: to join send a message to:
NZAgility-subscribe@yahoogroups.com

WEBSITE: located at <http://groups.yahoo.com/group/NZAgility>

RESULTS: www.nala.org.nz

ADVERTISING.
\$10 - 1/4 page
\$15 - 1/2 page
\$20 - full page

On Paws

Agility Equipment

Manukorihi Drive, Kawerau

Phone: 073237239 or 0274756976

Email: onpaws.agility@yahoo.co.nz

www.onpawsagility.com

On Paws Agility Equipment is owned and operated by Jason Hughes and Mel Mankelow. We both compete with our four dogs Bailey, Jack, Indi and Breeze in Agility and can be often found somewhere around the North Island most weekends competing.

We now sell a wide range of Agility and Dog Training gear so please feel free to visit our website to see our entire product range or contact us by phone or email for any further information you require.

Competition Contact Gear

Aluminium Frame work

Steel Frame work

Wooden

Training Contact Gear

Weaves

3 or 4 piece weaves

Channel Weaves with guides

Lockable weaveomatic weaves

Training Weaves

2 by 2 weaves

Detachable Hoop Jump

Dog Crates for vehicles or home

Tunnels

Competition Flexi Tunnels

Chute Tunnels

Home Training Tunnels

Jumps

Standard Jumps 3 types

Wing Jumps various designs

Training Jumps

Tracking Gear

Dog Toys and car boot locks

**We are happy to make any training aid you want,
just give us the details**

Visit our website to see more or give us a call