

August 2011

**NATIONAL
AGILITY
LINK
ASSOCIATION**





National Agility Link Association (formed 1989)

CENTRAL COUNCIL comprises Secretary, Treasurer, and NALA Reps.

EDITOR/SECRETARY

KAREN DE WIT, 74A Kirton Drive, Riverstone Terraces, UPPER HUTT 5018
Ph: 04/528 6796. Mob:021 1240174 Email: kpdewit@xtra.co.nz

TREASURER

FIONA FERRAR, 630 Te Kowhai Rd, RD8, HAMILTON 3288 Ph: 07 829-7016
Ph: Mob: 021 358-996 Email: f.ferrar@actrix.co.nz

NALA REPRESENTATIVES.

NORTH ISLAND.

KIM ORLANDO-REEP, Pepepe Valley, RD2, HUNTLY 3772
Ph: 078266725 Mob: 0274488896 E: kim@rockinghorses.com
MEL MANKELow, 52B Lambert Road, RD2, WHAKATANAE
Ph: 07 322 9224 E: jasonmel.bo@xtra.co.nz
SANDRA MOHEKEY, 57 Albert Street, Palmerston North.
Ph 063591300 E: runaone@cheerful.com

SOUTH ISLAND.

SUE McKEE:- 203 Mandeville Road, RD 2 Kaiapoi 7692,
Ph: 03 312 6264 Mob: 027 290 8182
E: suemckee2001@yahoo.com
LYNLEY BARRETT: Lrbarrett@xtra.co.nz
ELAINE PEARCE: elaine.pearce@xtra.co.nz

RESULTS RECORDER (Agility)

Results may be viewed at www.nala.org.nz For more information contact
MIKE BUTLER, 146 Clyde St, Island Bay, WELLINGTON. Ph: 04/383 8143.
Email: mbutler@ihug.co.nz

RESULTS RECORDER (Flygility)

ALLAN ROHDE, 167A Runciman Road, R D 2, Pukekohe, AUCKLAND.
Ph: 09-2385464; Email mark.iii@clear.net.nz

NOTE: All results must be in by the last day of the month.

LIBRARY ENQUIRIES

DARRYL JEWISS, 33 Bell Rd, Lower Hutt 5010 , ph: 04-972-7701.
Email: djewiss@paradise.net.nz OR library@nala.org.nz

MAGAZINE DISTRIBUTION

CAROLE LOGAN Email: distribution@nala.org.nz



EDITORIAL
by Karen de Wit



Winter continues to have the country in its grip. We might have had only two frosts but we have had snow and gee wasn't it lovely!! Just like one of those Christmas cards you see, snow on all the trees and wafting down gently from the sky to sit on your shoulders all soft and cold! Dogs loved it, and wondered why the white balls kept disappearing!

Nice to compete at DAWG indoors on the rubber, plenty of nice courses to run—and Benji the Lowchen I run for Pete's Mum got a ribbon—his FIRST ever!! It is proudly hanging up on her wall, and lets hope we might be able to get a few more sometime.....

WHAT SHOULD AN AGILITY CLASS LOOK LIKE?

The first task of the Club instructor should be to ensure the person and their dog enjoy themselves. Those who have been around a while might have lots of really good ideas about how to best train contacts, weaves etc, but at the end of the day it is the fun of doing agility that originally brought us to the sport and has kept us there. Sometimes instructors can get too technical when training newcomers to our sport. If you bore the owner with technical jargon and demonstrations they will not bring their dog back. They do not come out on a cold dark night to stand around getting cold feet and listening to your words of wisdom. They need to move around, to have some fun and to learn some things. The majority are never going to make any World Team or achieve any great heights in the sport, but the majority are the ones who get the gear out each week, who pay their subs and who help out at events. The social aspects are important, they also want their dog to have a good time and perhaps learn a bit too. So next time you put up your hand to take a class try to plan the weekly lessons so that there is lots of activity, with everyone given a fair shot at the equipment, and a minimal amount of conversation.

DID YOU KNOW?

In 1997 the Hawkes bay Canine Obedience Club proposed that an ADX Advanced Bronze, Silver and Gold be introduced, the same year that there was discussion on lowering the maxi jump height down from 760mm to either 700mm or 675mm. There was also a petition going around that asked NZKC for an Agility Committee to be formed.

Top Ärf Report—by Kim Orlando-Reep.

It could be said that I'm obsessive about the weather. Probably true, but when you work outside it becomes a very important consideration. Having struggled around the farm on foot for a week after having to abandon my quad bike due to the waterlogged state of the ground, I was not feeling overly enthusiastic about a weekend of agility in the cold, wet and mud. However, having (fortunately) missed out on Tokoroa's arctic conditions the previous week, and been deprived of any training for a couple of weeks, I was suffering from acute agility withdrawal symptoms, so happily set off for Ardmore late on Friday afternoon in the rain and wind hoping that the forecast of better weather was right. I spent the night at the Orchard which is the NZKCs official camping place. For those of you who haven't been there, I can thoroughly recommend this place if you need somewhere to camp. It's less than 10 minutes away from the grounds and has separate winter and summer parking areas, both excellent.

What a difference the sun makes! After a cold start the sun came out and we were treated to not one but 2 beautiful days. Luckily the grounds are well drained and conditions actually improved throughout the day although one ring was a little sticky to run in. One of the advantages of running a jumpers event in the winter is that the classes are over quite quickly without the hold ups caused by weaves and contacts – or rather I should say competitors practising those 2 obstacles. Akarana is only a small club and there were quite a few members from other clubs helping. They

included Brian Todd and Kat Clark who always help out both at Akarana and WAG although neither of them run dogs at present. Apparently WAG provided a set of timers and there was some consternation amongst officials on discovering there were no batteries – and not even a sign on the box to say Batteries Not Included!

As well as agility there was the added attraction of Obedience and Rally O held indoors and quite a few people had successes at both. Having tried simultaneous breed showing and agility I know how tricky it is trying to be in 2 places at once, although I don't think dress criteria is such an issue in obedience!

Alan Willox was in fine form and built an unusually kind Jumpers C1. I accused him of getting soft, as having been accosted by Sandra Charlesworth asking him if he was going to put a long jump in as her dog doesn't like them, he didn't actually put one in just to annoy, being the perverse old ***** that he is! (Although he told her he had planned to put in 2 !) He's threatening to give up judging but I hope he doesn't as his particular warped sense of humour always brightens up my day.

My boy Scud has had a lot on his tiny mind recently with girls at home in season, which doesn't leave much room for concentration on agility. That and the fact that he has had no training whatsoever resulted in him completely forgetting what "Wait" at the start meant. I was not amused to find him passing me during my lead out, but removing him from the ring paid off as he didn't do it in the other 2 classes. In fact he would have been in the line up had he left all the jumps up! Sabik, my Ridgeback, has progressed so much that I can actually look forward to running her without suffering from acute embarrassment (and with my record of embarrassing moments that's quite an achievement).

I had to leave early and also was not able to be there on Sunday (why people have to arrange social functions that clash with agility is beyond me) so also missed prize giving, which I noticed featured some rather fine black and yellow rosettes which unfortunately I was not in line for! However there were quite a lot of multiple successes over the weekend: Anna Snell had a dream weekend with her attractive heading dog Chi running for the first time and winning Jumpers C on Saturday and a placing on Sunday. Her little terrier Nancy had 2 C wins out of 3 clears on Saturday, and Daisy, her

Border Terrier had a C win on Sunday.

Eduard Hamster had 2 Maxi C wins with Anke's Sacco and Shirley Hall also had 2 midi wins with her young dog Chloe. The Rohde's Knight won 4 out of 6 Jumpers A, two with Alan and two with Hayley. I was sorry to miss the veterans class on Sunday – an excellent idea and which I hear was won by Ngaire O'Rouke's Sweeny.

Central North Report-by Mel Mankelov

Will start with Tokoroa ribbon trial—just for one day this year and decided to go alone—first show without Callum, and what a day! The weather was terrible it just poured most of the day, poor club lots of people bailed and went home early - I couldn't that's the joy of hiring out gear. But the dogs ran well and I felt normal just for a while ... everyone had to be towed off the grounds so thanks to Gina's other half who even towed out our van with the trailer attached and thanks Cam for driving the van out for me. I thought with my reputation of getting stuck or falling off walls it was far safer for all involved if I let someone else get me out, so for my first show alone it wasn't that much fun. There were some good runs even though the weather was bad. Special mention to Lis Proctor and Teal who I was informed has had numerous wins in a row which is a massive achievement for them Teal has some issues and Liz is managing them with great success so well done great team to watch. Also saw Chelsea out with Legend, another one looking good for her. Cam and Roxy doing some great stuff, also ran into some people that I hadn't seen around the Agility circuit for some time was really good to catch up.

Well the next event we ventured to was the Horowhenua Champ show and what a show that turned out to be! Weather was good, brand new gear, great people and of course the highlight of the show was Jason finally getting the win he needed to make Jack up to an Agility Champ. I think it was one of the proudest moments of my life—Jason had been working hard out all week, hardly seen the dogs and then first run of the weekend he does it!! As most of you know Jack used to belong to a great friend of ours Pam who sadly passed away very suddenly. She had only just started to compete

**Jason
Hughes
and
Agility
Champion
Typhoon
Jack**



with Jack and when we decided he would come and live with us we had many issues to work through with him. But I'm sure Pam had a smile on her face and a beer in her hand when he got his title—made it extra special, and of course the soaking was great—VERY very cold !!!! Well done Jason and Agility Champion Typhoon Jack.... also don't think that will be the last soaking !!!!!

There were some great runs over this weekend not many from the North but Sue with Cookie & Tip joined us and of course the Hawkes Bay girls. A few more were there on the Sunday at the Kapiti Show which was held for the first time in a park—it was great lots of room to run the dogs much better! We did leave early as there was a long drive home but loved the grounds.

Sorry the report isn't as long as normal but not been to many shows, not long until the warmer weather yeah !!!! am over the winter and the wet!

Lower North Report- by Sandra Mohekey

Nelson, Queen's Birthday Weekend

A small but enthusiastic contingent travelled from Zone 3 to this show. Amongst the Zone Three results Jude and Tup-pence were delighted to get a third in Jumpers C.



Hawera Champ Show 2nd and 3rd July

This was another show I didn't go to – decided I needed one weekend at home! I tried to get someone else to do a write-up for me, but had no luck. The oral reports from those who did go were excellent; the atmosphere and the organization were both great and the splits were also very popular.

It was an especially wonderful show for Aprille who, with Smarty Pants, won a mini senior and with it Smarty's first challenge. Smarty also won an



Intermediate small. Jude tells me Paul won two ribbons and was pleased with his weekend.



Bull Fighters Flygility training day and Tournament 9th and 10th July

This was a new venture for us. Some had doubted we could run it – and without the help of the terrific people in the fly community – especially Hutt, Otaki, Hurricanines and Wanganui people - we couldn't have. The weather was kind to us and the region's horrible

weather (tornado-like wind, hard rain, hail, thunder and lightning which was very very frightening) stayed away from the training session on Saturday afternoon. Noeline took the newbies in hand and as well as telling them about the sport, a solid base was established in terms of box training. For those already in Beginners Chris and Barbara set up two courses, one with elevated gear and one with weaves, and we had an opportunity to try both – finishing with a team competition. Some handlers and dogs made huge progress during the afternoon – as they showed us the next day.

For the Sunday tournament the kind and supportive Wanganui people brought down almost an alphabet of gear, from B (barriers) to T (tunnels). Our wonderful judges were Marian, Barbara, Chris and Noeline. They and everyone else mucked in and set up courses, loaded boxes, waved flags and showed us Bulls, Me, Liz, Julia and Daria, people how to run a fly tournament.

The impressive results included Judy and Jess winning Beginners after closely fought semis and final runs. Aprille and Smarty won the Beginners plate event just ahead of a surprised and pleased Chris with Ted E. The Intermediate event provided the most thrills, in my opinion, and also, along the way, provided the funniest moments of the day when Smarty and Fancy had to run against each other. Well, they preferred to run with each other, up and down the barrier and a “winner” for that event was only found when one started running on the other one’s course. (Don’t ask me which!) A member of the public standing near me kept saying how sweet and cute they were – Aprille was using different adjectives. She was not the only one whose dogs had to run against each other, but the poodles provided the most entertainment. An astonished and delighted Helen eventually won Intermediate with Dart who had really switched on to fly – see how good the training was! The first Senior ribbons ever given out in NZ fly – I think we were the first to use the new name – went to winners Rae and Song, runners-up Laurel and Mulga, and semi-finalists Anne and Jed and Richard and Peanut. Rae was having a great day because she and Breeze won Advanced. Marian and Zephyr were runners-up on the very tricky and challenging course set by Noeline.

Two handlers gained titles at the event. Anne made Jed up to a fly champion – hurray whanau! And Rae’s Breeze made FDX, capping



Anne Packer made Jed up to a
Flygility champion in July
WELL DONE!

a great day for her and her dogs.

DAWG Agility and Jumpers 16th and 17th July

This was DAWG's indoor show and seemed to have a smaller entry than their previous year's indoor shows. I guess the recession and rising prices mean we are travelling less and picking and choosing more which shows we go to. The show was well organised and the ravishing Rod and the comely Cam provided some lovely courses for us to negotiate. The floor is looking – and feeling - more slippery than it was but most of the dogs adjusted after their first run and I only saw one human casualty – Lloyd executed

a Sidwell Slide but managed to keep running the course. The weather was fine but coldish – however not anywhere as bad as it had been the week before. Most of us knew to rug up to avoid the cold indoors, and for those wanting to be even warmer there was always the option of helping to set up the rings.

For further entertainment there was a sweepstake running each day on a dog in the competition – B on Saturday, Senior on Sunday. Marian on the mike was getting quite carried away – unusually for her - and had a few karaoke singing moments. Maybe next show she'll take requests. Think up some good songs you'd like to hear her sing.

Bill and Sika were having a good weekend. As a result of her surgery for lymphoma her spleen has been removed. She is still having chemo, but Bill says her appetite is good and she is enjoying being back in the ring; she went clear in B on Saturday and in senior and intermediate on Sunday. Bill estimates that of her first 15 runs after she went back in the ring in May, she got 12 CRs.

Peter and Quick won Saturday's senior, not a bad present for him from Quick. Peter is now in the second half of his century. Kathryn made a banana cake for him which, when the candles were lit on Saturday, created a huge blaze. On Sunday Quick managed to get between the tunnel and a pillar, instead of into the tunnel – one of the quirks of competing in the Kennel Centre. So that run wasn't a gift.

Other happy competitors on Saturday included Ben from Horowhenua who won Saturday's non-split Starters as well as placing third in C and DAWG newby Lorraine who runs Bella, a "bloody great frickin' tall huntaway thing" (you have to hand it to Marian – she really knows her dog breeds) and was second in maxi Novice 1 and third in Starters. Carl got his reward for making the trip south by winning midi Novice. Kevin won Novice small and Carol won maxi. Carol and the mysterious Vader took out Jumpers C.

Sunday's competition finished quite early. My competition finished really early as Niko had sliced a piece off one of his pads and I had to scratch him from Intermediate. Jed and two other dogs also had cut feet – victims of the small pieces of broken glass the locals kindly leave to decorate the KC and its surrounds. Why can't we have all beer sold in cans? After all, it's not fruit juice bottles the locals are smashing and leaving! And Anne would appreciate there being more cans to collect pull tabs from. If you are at a Zone Three show – or any show Anne from Hutt is at – and have a canned drink, please pass your pull-tab on to Anne. Her grand-daughter is planning a wearable art project that will require hundreds of them.

There was nothing wrong with most dogs' feet however, especially those dashing minis. Aprille's Smarty won Intermediate 2 small and Fancy won Novice 2 Small.

Canterbury Tails by Sue McKee, Teezsa, Rez and Switch

Once again nothing much to report from my end, due to me not being in Canterbury at present, but I have been enjoying the North Island and glad to be out of the quakes and the snow, although we have encountered snow on our travels between Gisborne and Wairoa.

Many thanks to Meredith Evans for supplying a report on CCOC Fun Day held recently. Next month things should be back to normal as we return to the shaky city early August.

CCOC Fun Day.

Our Club Captain Barbara had the great idea of holding an agility interclub fun day, as a chance to do some agility in the winter, and to encourage new people to give competition a go in a more low key setting. We invited several local clubs, who each sent around 15 or so members, with plenty of newcomers.

The day was fine but with a biting cold wind. We started at 10am with Elementary level Jumpers, followed by C and B, while in "Ring 2", Tim judged the "Dizzy Rascal's Completely Tunnels" course. It had two levels, and a huge number of entries. I think it ran for a solid 2 hours. We also held an interclub weave challenge, which was won by Waimak. In the afternoon, we ran a pairs relay and Tim's handlers challenge course, which tested distance control. I believe there were only about 3 dogs not eliminated on this course.

CCOC provided a BBQ and some toasties, and of course, Gay's fantastic lolly cake. I think everyone enjoyed the day. There were certainly some well performing new handlers and dogs, and plenty of happy smiling people around.



MIKE'S HIKE.

DID YOU KNOW THAT Mike Butler, who does the NALA Results is walking around the South Island raising money for the Cancer Society?

You can follow his progress and make a contribution to the fund.

<http://mikeshikenz.blogspot.com/>



Deep South by Elaine Pearce

Just had the Otago CTC indoor triple agility event and I bet everyone was very pleased it was indoors on the Sunday. Howling southerly, snow and hail for most of the day. Unfortunately many people did not even make it home after the event and I am sure many people did not actually make it to the event on the Sunday either. I was certainly one of those.

Then to top everything off, the power went out during Senior 3. Computers, lights and kitchen all crashing. The big roller doors had to be open for enough light to carry on which resulted in a very windy indoor arena. The joys of winter shows.

Congratulations to Lyn Hayde and Pepper for winning out of Starters with two wins on Saturday and taking out the top Starters Dog award. That's what you get for just having fun and not stressing about actually trying to get out of Starters, isn't it Lyn :-))).

Congratulations also to a fairly new competitor Carolyn Dow and Tussock for winning Starters 3 as well as getting a 2nd and 3rd and taking out runner-up Top Starters Dog. You may not be for the Starters world too much longer either.

Moira Howarth and Hobo are also out of Starters with a win in Novice 2 maxi. If you are winning Novices you may not be long for the Novice world either, Moira.

Congratulations to Natasha Neame & Tricot who took the overall Top Dog with David & Zee as runner-up

AGILITY MOST IMPROVED THIS MONTH
Molly & Edith Coulter from Sth Canterbury
a leap of 256
~ WELL DONE!

NELSON PICS from EMMA WILDING.



GAME MONTH: Snooker

NALA and GOODOGZ are offering three games over the next 7 months. Scores from all 3 games will be added together (rankings) to get overall Games winners at each height division. The game is based on this month's Link course.

SNOOKER.

Start at start line. Finish at finish line.

Time from start line to finish line (the jump is not counted at the end)

Opening sequence = red, colour, red, colour, red.

Cannot repeat the same red, if knock a red must go to another red.

Can do any colour obstacle (highest score is 3 x 7s)

Colours and reds can be done from either end during opening.

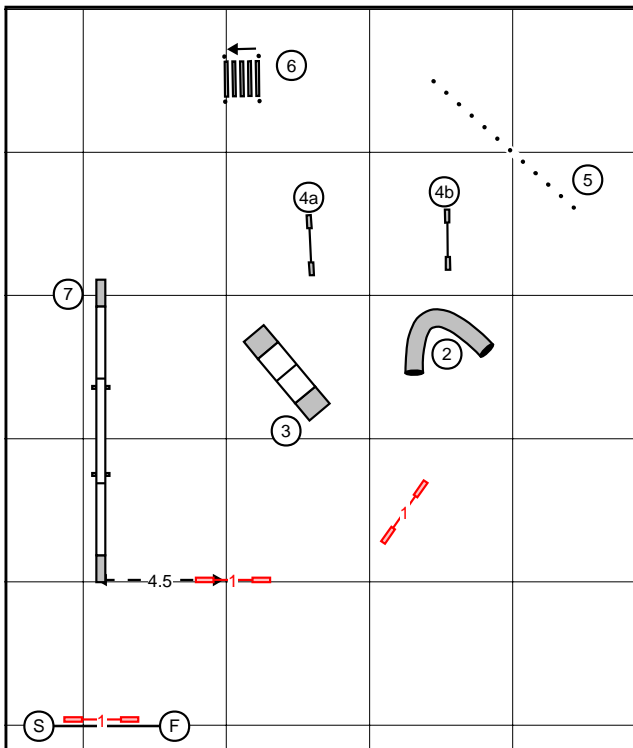
No refusals in opening sequence. Faults in opening = no points but carry on.

Closing sequence is 2-3-4a-4b-5-6-7 to finish.

#2 can be done from either end during closing.

All other obstacles from marked end at closing.

Closing: If you fault any obstacle the scoring ends and you must run to the finish to stop the clock.



Results

by September 30th

please contact Karen
de Wit on
kp dewit@xtra.co.nz

with the following
information...

Club name
Handler name
Dog name
dog height
Total points score
and time

Have fun!!

NALA LIBRARY.

Books

Peter Lewis Teaching agility
 Clean Run, Workbook- Introductory, Intermediate, Advanced
 Clean Run, Games book
 Clean Run, Course design book
 The Clothier Natural Jumping Method, by Suzanne Clothier
 Jacqueline O'Neil, All About Agility
 Christine Smith, Your Secret Coach
 Building Blocks for Performance
 Peak Performance - Coaching the Canine Athlete M.Christine Zink
 Jumping from A to Z M. Christine Zink
 Course Analysis for Agility Handlers Stuart Mah
 Ruff Love Susan Garrett
 Shaping Success Susan Garrett
 Dogwise John Fisher
 Excel-erated Learning Pamela Reid
 Developing Jumping Skills

VHS

Ruth Hobday, Pups progress
 Ruth Hobday, Advanced control exercises.
 Puppy Love - Raise your dog the Clicker way.
 Greg Derrett Foundation Video
 Greg Derrett, - Great Dog, Shame About the Handler

DVD

4 on the Floor
 2x2 Weave Training
 Agility Fix It, Contacts & Weave Poles
 Agility Foundation Training
 Best of the 2006 FCI Agility World Championships
 Best of the 2007 FCI Agility World Championships
 Contacts: Bridging the Gap Between Training & Competition
 Crate Games for Self-Control & Motivation
 Foundation Jumping 4-DVD Set
 Foundation Training for Agility 3-DVD Set
 Great Dog Great Handler, The Winning Combination
 Great Dog, Shame about the Handler
 How to Win at Gamblers and Snooker
 On Course to Excel
 Reliable Running A-frames
 Success with One Jump 2-DVD Set
 World Class Weaves—Joe Canova
 In FOCUS Crying for Control
 Go the Distance Vol. 1

LIBRARY ENQUIRIES

DARRYL JEWISS, 33 Bell Rd, Lower Hutt 5010 , ph: 04-972-7701.
 Email: djewiss@paradise.net.nz OR library@nala.org.nz

New Zealand Association of Rally-O

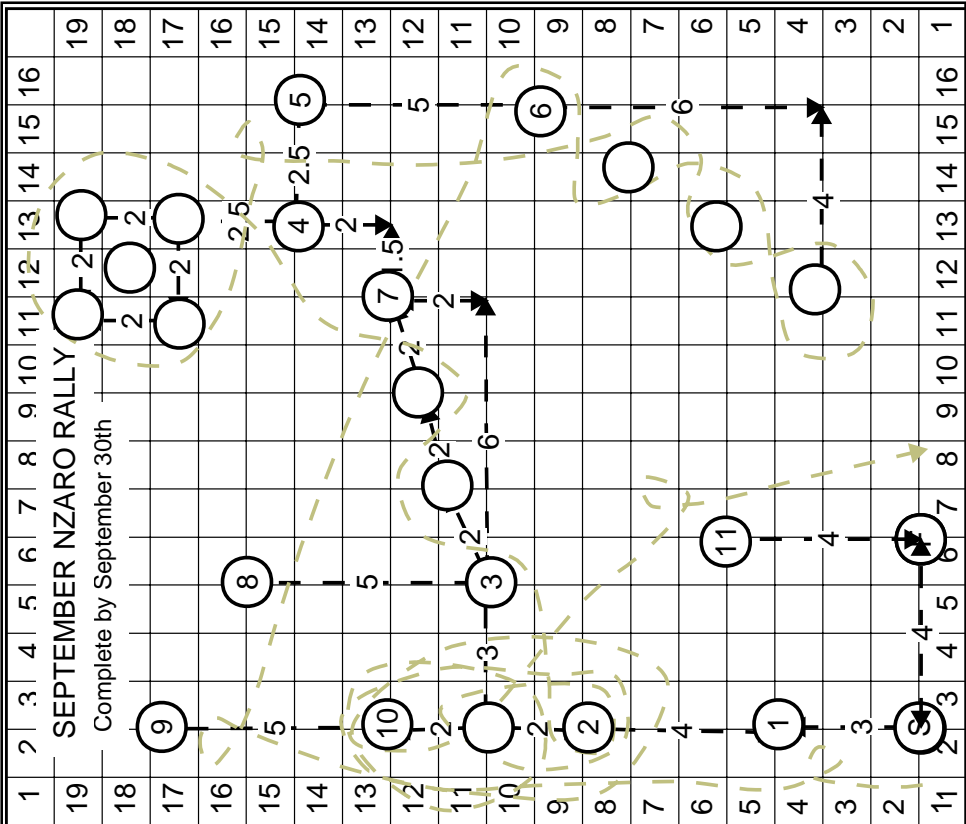
August 2011



Any NALA or NZARO member can take part. Note: End of year awards will be presented to NZARO members. A membership form is available on the website.

Anyone judging must make themselves familiar with the *NZARO Handbook*, available on the website www.nzaro.webs.com

This month's course is a **ZOOM course**. It has a new sign in it, the circle left (dog on inside) Station #4. You pass the sign on your right and then go into a left hand circle as marked by the cones (No tight turns) and then come out of the circle with the sign once again on your right. The circle can be marked with cones or other markers. **Have fun!!**



Send Results to Mike Butler.
 Email: mbutler@ihug.co.nz by end of the month

1. 360 Right (11)
2. Spiral right, dog outside (21)
3. Serpentine weave once (24)
4. Circle left dog inside (NZARO #3)
5. 270 left (10)
6. Figure of eight weave twice (23)
7. Fast pace (18)
8. Normal pace (19)
9. 270 right (9)
10. spiral left dog on inside (22)
11. 360 left (12)

PI	Club	Team members	Score	Time
1	Central ADTS	Jan Voss & Pippa, Jan Voss & Buzz, Sonia Calvert & Sputnik	100.0	233.760
2	Mt Maunganui	Fiona Goodall & Luna, Anne Proctor & Silke, Fiona Goodall & Promise	100.0	250.800
3	Hawkes Bay	Lorraine Lennox & Veesa, Lorraine Lennox & Jantsee, Dot Janssen & Keller	100.0	259.850
4	Selwyn	Misha Baxter & Trixie, Kelly Walker & Gael, Kelly Walker & Maddie	100.0	267.040
5	Norwest	Maree Green & Ted, Rosalind Walkington & Emma, Sandy Mackenzie & Jura	100.0	284.930
6	Wanganui	Betsy Gleeson & Flint, Kathy Kerr & Emma, Besty Gleeson & Tasha	100.0	301.060
7	Canterbury COC	Jane McBride & Fanta, Cynthia Muir & Eva, Cynthia Muir & Kiki	100.0	306.780
8	Cambridge	Christine Nielsen & Co, Christine Nielsen & Pete, Paddy Ashley & Mingka	99.7	410.306
9	Central HB	Danielle Stevens & Pepsi, Shirley Parker & Bess, Sheelah Stevens & Toby	99.0	323.070
10	Rotorua Rally Group	John McFarlane & Rua, Ann McSweeney & Holly, Heather Mitchell & Mica	99.0	384.170
11	Otaki	Noeline Wagener & Rumba, Jenny Purdon & Flynn, Anne Forrest & Cara	98.7	418.260
12	Upper Hutt	Lloyd Palleeson & Lili, Peter de Wit & Quick, Karen de Wit & Cee	97.7	292.630

SPECIAL
PETS
 deserve
 quality
products



Simple, easy online ordering...

FREE delivery direct to your door*

Can't find that something special for your pet?

Petworkz is here to help.
 Give us a call or visit our website

*conditions apply

Check out our
REWARDS SCHEME
 for the fastest way to
 get free products

All orders go into
 a monthly draw to
 receive their order
FREE

0800 PETWORKZ
0800 738 967
www.petworkz.co.nz


 for pets that shop


DOG AND CAT FOOD

0800 BOSHPET 0800 287 247
 www.boschpet.co.nz


DOG AND CAT FOOD

0800 BOSHPET 0800 287 247
 www.boschpet.co.nz


DOG AND CAT FOOD

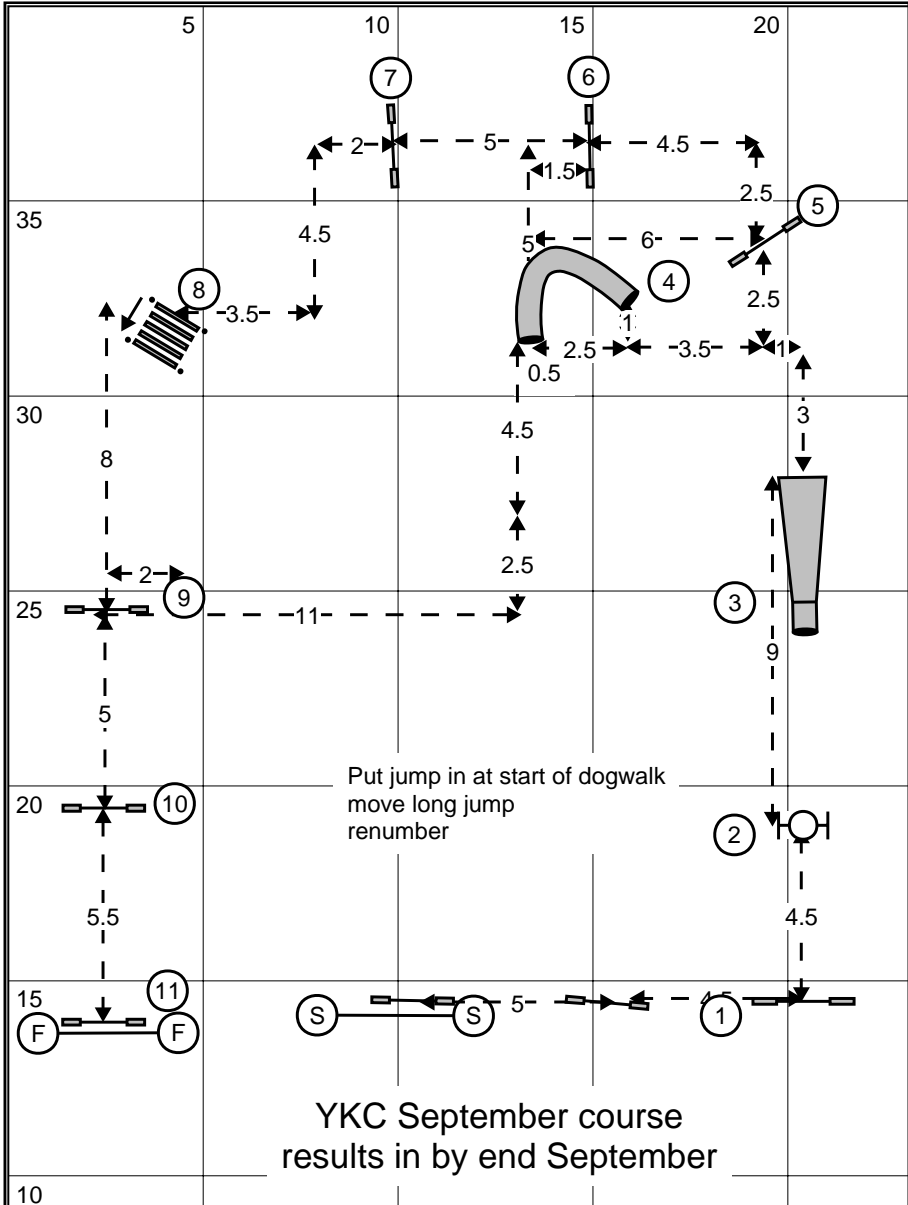
0800 BOSHPET 0800 287 247
 www.boschpet.co.nz



NZYKC AGILITY LINK



Organised by Nevenka Paterson nevenka@xtra.co.nz



Beginners - Under 11's				
Plc	Name	Dog	Club	Time
1	Christopher Johnston	Sasha	N/Taranaki	7.19
2	Jess Mortimer	Kite	Nelson	8.36
3	Nicole Davis	Amber	N/Taranaki	9.96
4	Shamon Roydhouse	Maddie	Selwyn	11.36
4	Jess Mortimer	Kola	Nelson	11.36
5	Jess Mortimer	Lily	Nelson	11.97
6	Paige Aukett	Bobby	U/Hutt	12.40
7	Emily Sharratt	Pickle	Selwyn	12.43
8	George Sharratt	Pickle	Selwyn	18.01
9	Christopher Johnston	Flynn	N/Taranaki	19.64
10	Jess Mortimer	Split	Nelson	41.88
11	Nicole Davis	Scarlett	N/Taranaki	555
11	George Sharratt	Jag	Selwyn	555
Beginners - 12 years over				Time
Plc	Name	Dogs Name	Club	
1	Dylan Anderson	Sam	CHB	7.66
2	Dylan Anderson	Rocky	CHB	10.48
3	Rosemary Longuet-Higgins	Rosie	Whangarei	11.15
4	Kate Salter	Phoenix	North Shore	12.15
5	Dylan Anderson	Jasmine	CHB	13.29
6	Amy Forrest	Scooty	Otaki K9's	26.75
7	Anton Jewiss	Ruby	U/Hutt	45.90
8	Anton Jewiss	Kiltie	U/Hutt	555
Experienced - 8-11 years				
Plc	Name	Dogs Name	Club	Time
1	Jayden Hishon	Scooty	Mt Maunganui	36.73
2	Erin Ball	Claire	Mangawhai	555
2	Erin Ball	Mist	Mangawhai	555
Experienced - 12-15 years				
Plc	Name	Dogs Name	Club	Time
1	Hayley Rohde	Kiss	Counties	25.72
2	Hayley Rohde	Knight	Counties	26.22
3	Joe Tompsett	Katie	Cambridge	28.77
4	Hayley Rohde	Flare	Counties	31.32

5	Hayley Rohde	Rocket	Counties	31.45
6	Zina Gota	Jacqui	Tauranga	39.87
7	Lauren Homer	Zac	Mt Maunganui	43.78
8	Hayley Rohde	Charm	Counties	44.95
9	Lauren Homer	Bella	Mt Maunganui	555
9	Lauren Homer	Tessie	Mt Maunganui	555
Experienced - 16-20 years				
Plc	Name	Dogs Name	Club	Time
1	Chelsea Marriner	Flash	Rotorua	22.78
2	Chelsea Marriner	Quest	Rotorua	22.91
3	Chelsea Marriner	Spy	Rotorua	22.94
4	Chelsea Marriner	Shift	Rotorua	32.53
5	Amy Hoogenboom	Molly	CHB	49.44
6	Danielle Stevens	Pepsi	CHB	555
6	Chris Moody	TedE	Hawera	555



AGILITY CLUB COMPETITION ~ DIVISION ONE

1	Rotorua 1	AgGrCh FDCh JCh Flash	Chelsea Marriner	22.780	68.630
		AgGrCh FDGrCh JCh Quest CDX	Chelsea Marriner	22.910	
		AgCh Spy ADXG FDX JDX	Chelsea Marriner	22.940	
2	Sth Canterbury	Benji	Bronwyn Rumble	25.376	79.185
		Jonty	Natasha Coulter	25.642	
		Amber ADXG	Carolyn Parr	28.167	
3	Mt Maunganui 1	Cheeky	Deb Jackson	24.551	81.597
		Sage	Natasha Kenny	27.137	
		Teal	Elisabeth Proctor	29.909	
4	Otago 1	AgGrCh Jax	David Cook	27.078	83.184
		Juice	Anne Cook	27.926	
		Zee	David Cook	28.180	
5	Counties	AGCH FDCH Kiss JD	Hayley Rohde	25.726	83.279
		FDCH Knight AD JDX	Hayley Rohde	26.224	
		AgGrCh JCH ObCh Flare FDX TCQ	Hayley Rohde	31.329	
6	WAG 1	Kyla	Tiffany Brown	26.588	89.546
		Xena	Vern McAuley	28.876	
		Nemo	Sandy Rostron	34.082	
7	Cambridge	FDCH Kodi FDX ADX	Julie McConkey	27.739	91.540
		Katie	Joe Tompsett	28.773	
		Zoe	Paul Needham	35.028	
8	Top DAWG	Rapid ADXS FDX	Mike Butler	29.213	94.857
		AgCh Bee ADXS FD JDX	Louise Williams	30.861	
		Kepa ADX	Alannah Knapp	34.783	
9	Upper Hutt	Myne	Peter de Wit	29.864	100.496
		Dee	Karen de Wit	33.158	
		AgGrCh Tana	Karen de Wit	37.474	
10	Waimak 1	Quiz	Roselle Bremmers	24.110	101.771
		Tee	Phil Johnson	37.961	
		Charley	Kathryn Sutton	39.700	
11	Nth Taranaki 1	Song	Rae Mayhead	32.828	103.881
		Breeze	Rae Mayhead	33.889	
		Cloud	Patricia Martin	37.164	
12	East BOP	Robbie ADXG JDX	Tina Mitchell	28.410	109.760
		Kwila JD	Una Forrester	39.350	
		Zarin	Kathy Sutton	42.000	

DIVISION TWO

1	Hawkes Bay 2	EyeC	Daryl Hogg	23.192	77.611
		Samson	Colleen O`Connor	27.099	
		Sheeba ADXG	Campbell List	27.320	
2	Napier	Andie	Kathleen Graham	24.120	80.610
		JJ of Carlyle AD	Celina Lovejoy	26.620	
		Abby	Lex Clare	29.870	
3	Central HB	Fly	Catherine Harty	23.946	80.699
		Taz	Kim Loye	25.473	
		Finn	Jill Payne	31.280	
4	Taieri	Gem	Vicky Fox	26.660	85.600
		Kellie	Richard Powley	27.780	
		Flack	Barbara Lowen	31.160	
5	Taupo	Scandal ADX	Dyson Beasley	27.299	87.534
		AD JD Max	Kate Last	29.125	
		Tehlulah ADXG JDX	Christine Gabb	31.110	
6	Wanganui 2A	Josh ADXS	Wendy McGhie	26.090	89.250
		Ernie	Wendy McGhie	30.280	
		Seka	Bill Stewart	32.880	
7	Blenheim	Tiffany	Jane Norton	28.379	89.592
		Tikeila ADX	Natasha Neame	30.290	
		Speed AD	Nic Furby	30.923	
8	CCATS	Izzy	Kathryn Snook	25.105	90.566
		Eve	Jane Rickerby	32.641	
		Sam	Dot Mote	32.820	
9	Nelson 2	Split	Kathy Konieczny	36.049	112.734
		Kliff ADXB	Linley Barrett	37.498	
		Lilly ADX	Hadassa Koessler	39.187	
10	Mt Maunganui 2	Cookie	Sue Andresen	31.093	122.250
		Zac	Lauren Homer	43.781	
		Bruce	Jan Giddens	47.376	
11	Mid Canterbury	Tess ADX	Tui Clucas	36.620	134.880
		Harley	Caroline Sinclair	45.310	
		Codie	Sharon Dron	52.950	
12	Wanganui 2B	Chloe	Nikki Penman	33.840	135.533
		Varna	Bronwyn Morgan	46.609	
		Gem	Nicola McDowell	55.084	

DIVISION THREE

1	Southland	Midge ADXB.JDX	Joanne Rennell	28.726	89.997
		Spin	Elaine Youthed	30.012	
		CH Ruffy JD	Joanne Rennell	31.259	
2	Canterbury COC	Radar	Tim Conolly	30.998	95.777
		Sno	Robyn Sanders	31.921	
		Tiza	Robyn Sanders	32.858	
3	Wairarapa	AgGrCh FdCh India JDX	Dianne Reid	29.056	96.246
		Zephyr ADXB	Karen Bealing	31.099	
		Smudge	Ana Workman	36.091	
4	Horowhenua	Jen	Nicola Bell	31.057	109.070
		Flynn	Jenny Purdom	37.727	
		Dice	Penny Nalder	40.286	
5	Whangarei	Meg	Christine Fifield	29.090	112.280
		Zito ADXB	Rebecca Roper	38.000	
		Hudson	Nigel Kenny	45.190	
6	Tauranga 3	Tulli AD JD FD	Shelley Clark	38.318	119.374
		Deci ADXB JD	Marion Pope	39.716	
		Chase ADX JD	Jocelyn Jensen	41.340	
7	Mangawhai	Lace AD	Annette Flannagan	39.700	125.950
		Tess	Robert Leslie	42.780	
		Lady	Jinnie Gailey	43.470	
8	North Shore 3B	Cody	Joanne Turner	40.401	128.292
		Tia	Jeannette Bennett	40.585	
		Rowan	Bruce Ronald	47.306	
9	South Rangitikei	Fifi ADXB	Silvia Rizzi	39.630	134.730
		Pollyanna	Rod Pearce	44.310	
		Cincinnati	Wendy Taylor	50.790	

DIVISION FOUR

1	Selwyn	Trixie	Misha Baxter	28.559	101.212
		Homer	Penny Hallowes	35.944	
		Rocky	Misha Baxter	36.709	
2	CHB Orange	Loose	Kim Loye	28.580	107.384
	Roughies	Toby	Duncan Renner	34.598	
		Poppy	Sharon Simonsen	44.206	
3	Go DAWG	Merlin	Elaine Herve	33.699	120.105
		Beau	Kim Paice	40.497	
		Rico	John Fraser	45.909	
4	Hawera	Trudy	Shanice Clements	38.570	122.250
		Nie	Delcie Walkington	41.090	
		Kimba	Carol Galliers	42.590	
5	Otago 4	Flick	Shayne Oliver	34.740	128.367
		Benson	Shayne Oliver	44.741	
		Holly	Michelle Cole	48.886	
6	Dog Sport Rotorua	Tui	Judy Casey	40.120	138.250
		Chan	Raewyn Saville	43.350	
		FD Lucy	Roslyn Prichard	54.780	
7	Akarana	Branson	Brigid Slykerman	42.715	143.935
		ADX Tempest	Aimee Trail	46.617	
		Drake	Aimee Trail	54.603	
8	Tauranga 4A	Jacqui	Zina Gota	39.871	153.971
		FeeBee JD	Helen Moorhead	50.484	
		Tama	Pam Williams	63.616	
9	Otaki K9s	Hunter ADX JDX FD	Diane Miller	33.690	156.930
		Cinders ADXG JDX	Aprille McGee	57.220	
		Diva	Noeline Wagener	66.020	
10	Tauranga 4B	Kobi	Jocelyn Jensen	45.301	167.701
		Faber	Kate Audas	56.977	
		Fergus	Shelley Clark	65.423	

FLYGILITY STD RESULTS, JULY

Plc	Team	Total	Dog	Handler
1	Sulphur City Slickers (Rotorua)	31.310	AgGrCh FDCh JCh Flash	Chelsea Marriner
			AgGrCh FDGrCh JCh Quest CDX	Chelsea Marriner
			FDCh Shift ADX JDX	Chelsea Marriner
2	Counties Rocket Men	31.696	King	Chris Richardson
			FDCh Knight AD JDX	Allan Rohde
			AgGrCh FDGrCh Rocket JDX	Elaine Rohde
3	Wairarapa 1	32.530	Blast	Ana Workman
			AgGrCh FdCh India JDX	Dianne Reid
			Tasman AD JD	Sharleen Drummond
4	Counties Jesters	32.728	Chloe	Shirley Hall
			Jess	Joan Holyoake
			Minx FD	Margaret Anderson
5	Rotovegas Rebels (Rotorua)	33.030	McLeod	Paula Nixon
			AgCh Spy ADXG FDX JDX	Chelsea Marriner
			Rua	John McFarlane
6	Waimak 1	34.577	AG CH Tui	Anne Godfrey
			GrAgCh Zoom FD	Lisa Duff
			Quiz	Roselle Bremmers
7	Wanganui Opals	34.720	FDCh Jordy ADX	Barbara James
			Shaylar FD	Barbara James
			Heydoh	Jonna Gibson
8	Wairarapa 2	35.010	Jamaica	Dianne Reid
			Mr Gee	George Workman
			Smudge	Ana Workman
9	Counties Coals on Fire	36.826	Charm	Hayley Rohde
			Coal	Marie Wales
			AGGRCH JCH OBCH Flare FDX TCQ	Elaine Rohde
10	Mount 1	37.700	Breeze	Mel Mankelov
			Cheeky	Deb Jackson
			Cookie	Sue Andresen
11	Fielding Fliers	38.184	Niko	Sandra Mohekey
			Pippi	Lynda Cummins
			Pepsi	Nichola Cole
12	dog sports Rotorua team 1	39.060	Bridie FD	Carolyn Mear
			Abbie	COLLEEN PAKES
			Bobby	Jeff Parker
13	Mount 2	39.400	Bet	Deb Jackson
			Skip	Mandy Ward
			Tip	Sue Andresen
14	Dog sports Rotorua Team 3	40.190	Jay	Hilary Quemby
			Chan	Raewyn Saville

15 North Shore 1	41.450	Bess Bracken Shiloh	Dave Swinyard Sheeran Johnson Claire Vivash
16 Taranaki Black\ 'n\ Blue	41.560	Cloud Song Mulga	Patricia Martin Rae Mayhead Laurel Austin
17 Counties Robbers	41.743	AGCH FDCH Kiss JD Robbie Skye	Hayley Rohde Nicole Beaumont Joan Holyoake
18 Counties MacTosca Toffees	42.785	Ginny Mac Tosca	Leni Koper Shirley Hall Louise Van Meygaarc
19 North Shore 2	42.920	Joe WT CH FD CH Laddie Rocky V	Joanne Turner Sheeran Johnson Claire Vivash
20 Rotorua 3	43.650	Cacy FDCh FDX Celly Tahi	Cynthia Caulfield Cynthia Caulfield Jeni McFarlane
21 Upper Hutt	48.810	Jed ADX FDX Cy-4 FD Jete'	Anne Packer Kathryn Bayne Sharon Hastings
22 Hawkes Bay 2	49.594	Samson Veesa Roxy	Colleen O`Connor Lorraine Lennox Campbell List
23 dog Sports Rotorua Team	250.820	FD Lucy Boo FD Midge	Roslyn Prichard Raewyn Saville Raewyn Saville
24 Top DAWG	51.583	AgCh Bee ADXS FD JDX Sputnik Merlin	Louise Williams Sonia Calvert Elaine Herve
25 Tga 1	53.780	Jacqui Tulli AD JD FD Cindy	Zina Gota Shelley Clark Geoff Gillies
26 Blonde Bombshells	56.030	Breeze Rosie Jade	Rae Mayhead Patricia Martin Jill Sorensen
27	56.930	Smarty JDX Dart M	Aprille McGee Helen Carter Sharon Wagener
28 NORWEST 1	58.060	Chester Jenna AD Zoe	Joan McFarlane Tracy Hart Karen Smith
29 Hawkes Bay 1	60.992	Ch'lee Ringo Sheeba ADXG	Jane Webley Dot Janssen Campbell List

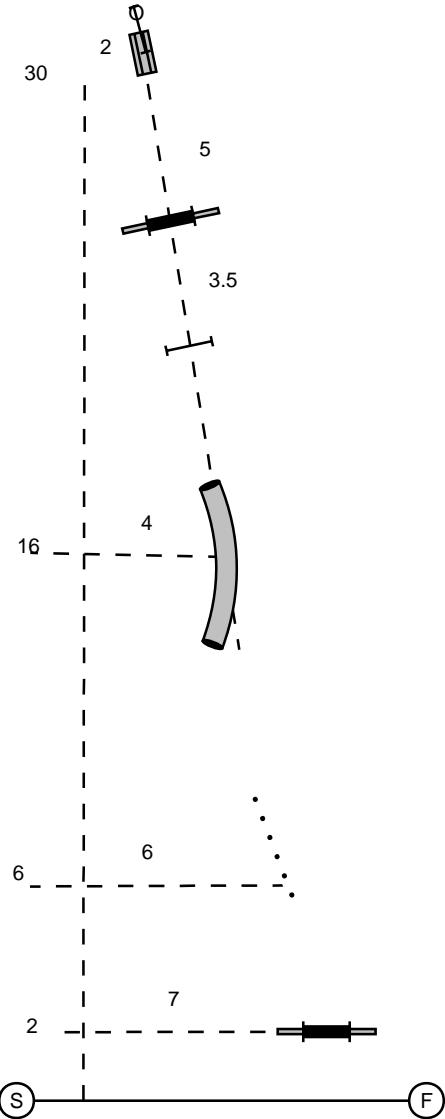
30	Counties Bees & Tees	61.380	Bolt Bounce Tip ADXB, FDX	Elaine Rohde Marie Wales Margaret Anderson
31	Otago 1	75.890	Echo ADX FDX Senna ADXAG FD Benson	Diana O'Kane Elaine Pearce Shayne Oliver
32	Under DAWG	77.110	Toonie ADX FDX Jack AD FD Rapid ADXS FDX	Chris Ross Chris Ross Mike Butler
33	Otago 2	80.070	Jack Buddy Wag	Reece Smith Marjo Buis Elaine Pearce
34	Wanganui Goldens	85.310	Gem Pippi Samual	Julia Crouch Jonna Gibson Richard Steele
35	Counties Chi's & Crackers	87.549	Chi Goofy MJ	Anna Snell Leni Koper Marie Wales
36	Tga 2	88.840	Harley Deci ADXB JD Lucky ADX FD JD	Helen Fabling Marion Pope Helen Moorhead
37	Rotorua 4	99.690	C'neeky Reily Zoe	Cynthia Caulfield Louise Ray Paula Nixon
38	Otago 3	103.200	Evie Flick Mist	Diana O'Kane Shayne Oliver Elaine Pearce
39	North Shore 3	132.240	Dash Peggy FdCh Caleb ADX	Kay Ungemuth Dave Swinyard Kay Ungemuth
40	Counties Yogi Bears	5555.000	Jacques Todd Yogi	Marie Pearman Nicole Beaumont Louise Van Meygaarde
40	Counties Klickers	5555.000	Flick Kees Mandy	Allan Rohde Leni Koper Sylvia Lord
40	Whangarei Flyers	5555.000	Relko Raven King Tig Ted	Nigel Kenny Peta Offa Rebecca Roper
40	Wairarapa 3	5555.	Milly Molly Mandy Sam Roxy	Caragh Briggs Stacie Clark Stacie Clark

Sulphur City Slickers (Rotorua)	38.750	AgGrCh FDCh JCh Flash AgGrCh FDGrCh JCh Quest CDX FDCh Shift ADX JDX	Chelsea Marriner Chelsea Marriner Chelsea Marriner
Counties Team of Rockets	42.136	Bolt Mac AgGrCh FDGrCh Rocket JDX	Elaine Rohde Shirley Hall Hayley Rohde
Wairarapa 1	46.340	AgGrCh FdCh India JDX Jamaica Tasman AD JD	Dianne Reid Dianne Reid Sharleen Drummond
Counties Flare in the Skye	47.479	AGGRCH JCH OBCH Flare FDX TCQ Skye Tosca	Elaine Rohde Joan Holyoake Louise Van Meygaarden
Wanganui Opals	47.690	Shaylar FD Molly Pippi	Barbara James Bruce Lacey Jonna Gibson
Counties Floaters	48.061	Coal Flick Tip ADXB, FDX	Marie Wales Allan Rohde Margaret Anderson
Top DAWG	48.404	AgCh Bee ADXS FD JDX Merlin Rapid ADXS FDX	Louise Williams Elaine Herve Mike Butler
Good DAWG	49.469	Jack AD FD Toonie ADX FDX Sputnik	Chris Ross Chris Ross Sonia Calvert
North Shore 2	52.890	Dash Bracken WT CH FD CH Laddie	Kay Ungemuth Sheeran Johnson Sheeran Johnson
Counties Kisses in the Knight	53.431	Jess AGCH FDCH Kiss JD FDCH Knight AD JDX	Joan Holyoake Hayley Rohde Allan Rohde
Rotorua 3	54.000	Cacy FDCh FDX Celly Tahi	Cynthia Caulfield Cynthia Caulfield Jeni McFarlane
Rotovegas Rebels (Rotorua)	59.220	AgCh Spy ADXG FDX JDX Rua McLeod	Chelsea Marriner John McFarlane Paula Nixon
Cpunities Michael Jacksons	62.618	MJ Robbie Yogi	Marie Wales Nicole Beaumont Louise Van Meygaarden
NORWEST 1	63.320	Jacko Jenna AD Zoe	Tracy Hart Tracy Hart Karen Smith
Hawkes Bay 1	65.430	Ch'lee Ringo Samson	Jane Webley Dot Janssen Colleen O'Connor
Taranaki Black\Blue	70.160	Cloud Song Mulga	Patricia Martin Rae Mayhead Laurel Austin
Wanganui Goldens	78.440	FDCh Jordy ADX Gem Heydoh	Barbara James Julia Crouch Jonna Gibson
Upper Hutt	83.660	Jed ADX FDX Quiz ADXG FDX Jete'	Anne Packer Kathryn Bayne Sharon Hastings
Wairarapa 2	108.730	Mr Gee Smudge Whizz	George Workman Ana Workman Debbie Paterson
North Shore 1	128.040	Shiloh Bess Joe	Claire Vivash Dave Swinyard Joanne Turner
Wairarapa 3	242.590	Milly Molly Mandy Roxy Sam	Caragh Briggs Stacie Clark Stacie Clark



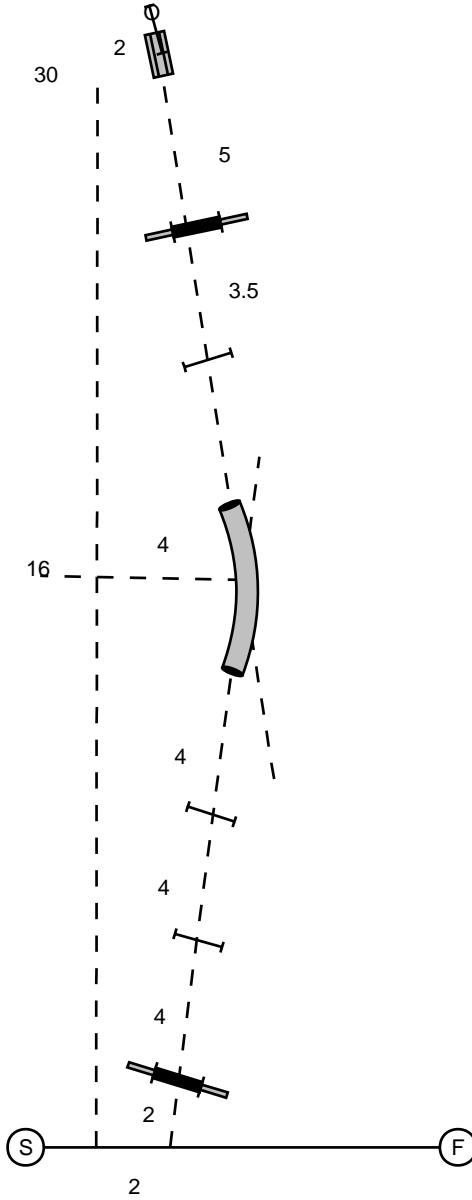
Flygility.. by Allan Rohde

CHALLENGE FLYGILITY COURSE
SEPTEMBER 2011
results in by end September



STANDARD FLYGILITY COURSE
SEPTEMBER 2011
results in by end September

FLYGILITY STANDARD



AGILITY LINK.

COPY: All copy - correspondence, articles, etc should be sent to the Editor. All copy must have the name and address of the contributor. Limit number of words to 500 or one A4 page. Copy may be abridged or edited.

COURSE PLANS – Any member may submit course plans. Supply as Course designer or in scale in black pen on an A4 sheet Portrait size, or Course Design computer format. Publication is not guaranteed.

AGILITY LINK does not accept responsibility for the views expressed by contributors and retains the right not to publish submissions for reasons of space or suitability.

ALL SUBS TO THE TREASURER. Cheques should be made payable to NALA. Payment must be received by the 27th of the month to be current.

EMAIL GROUP: to join send a message to:
NZAgility-subscribe@yahoogroups.com

WEBSITE: located at <http://groups.yahoo.com/group/NZAgility>

RESULTS: www.nala.org.nz

ADVERTISING.
\$10 - 1/4 page
\$15 - 1/2 page
\$20 - full page

On Paws

Agility Equipment

Manukorihi Drive, Kawerau

Phone: 073237239 or 0274756976

Email: onpaws.agility@yahoo.co.nz

www.onpawsagility.com

On Paws Agility Equipment is owned and operated by Jason Hughes and Mel Mankelow. We both compete with our four dogs Bailey, Jack, Indi and Breeze in Agility and can be often found somewhere around the North Island most weekends competing.

We now sell a wide range of Agility and Dog Training gear so please feel free to visit our website to see our entire product range or contact us by phone or email for any further information you require.

Competition Contact Gear

Aluminium Frame work
Steel Frame work
Wooden
Training Contact Gear

Weaves

3 or 4 piece weaves
Channel Weaves with guides
Lockable weaveomatic weaves
Training Weaves
2 by 2 weaves

Detachable Hoop Jump

Dog Crates for vehicles or home

Tunnels

Competition Flexi Tunnels
Chute Tunnels
Home Training Tunnels

Jumps

Standard Jumps 3 types
Wing Jumps various designs
Training Jumps

Tracking Gear

Dog Toys and car boot locks

We are happy to make any training aid you want,
just give us the details

Visit our website to see more or give us a call