

September 2014

**NATIONAL
AGILITY
LINK
ASSOCIATION**





National Agility Link Association (formed 1989)

CENTRAL COUNCIL comprises Secretary, Treasurer, and NALA Reps.

EDITOR/SECRETARY

KAREN DE WIT, 74A Kirton Drive, Riverstone Terraces, UPPER HUTT 5018
Ph: 04/528 6796. Mob:021 1240174 Email: kpdewit@xtra.co.nz

TREASURER

MALCOLM WARD

NALA REPRESENTATIVES.

NORTH ISLAND.

ROSEMARIE J BAKER & DIANA MCKAY
SLEUTH HOUND
LLOYD PALLESON

SOUTH ISLAND.

SUE McKEE:- 203 Mandeville Road, RD 2 Kaiapoi 7692,
Ph: 03 312 6264 Mob: 027 290 8182
E: suemckee2001@yahoo.com
LYNLEY BARRETT: Lrbarrett@xtra.co.nz
REECE SMITH

RESULTS RECORDER (Agility & Flygility & RallyO)

Results may be viewed at www.nala.org.nz

For more information contact

MIKE BUTLER, 146 Clyde St, Island Bay, WELLINGTON. Ph: 04/383 8143.
Email: mbutler@ihug.co.nz

RESULTS (VETERANS, GAMES)

KAREN DE WIT, 74A Kirton Drive, Riverstone Terraces, UPPER HUTT 5018
Ph: 04/528 6796. Mob:021 1240174 Email: kpdewit@xtra.co.nz

RESULTS/EDITOR JUNIOR NALA COMPETITION

Jane Aukett, E: markjane.aukett@xtra.co.nz

LIBRARY ENQUIRIES

DARRYL JEWISS, 33 Bell Rd, Lower Hutt 5010 , ph: 04-972-7701.
Email: djewiss@paradise.net.nz OR library@nala.org.nz

MAGAZINE DISTRIBUTION

CAROLE LOGAN Email: distribution@nala.org.nz

EDITORIAL

by Karen de Witt

The sun has come, the grounds are drier, woohoo!!

We head now into some nice weather for training dogs, gardening and competing. Longer evenings for drinking wine, and warmer evenings for sitting in the spa! I love it!

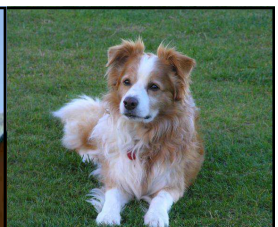
Well done to all those people who trialed for the Inter-Zone teams competition and who will be headed to Gore in late October. Good luck to you all for safe travels and fast clear rounds!

Next month we introduce the second of our **Games Series**—just like the previous one we will have one Gamblers, Snooker and Jumpers Pairs. In the last series there were 58 dogs who took part. The results for the last series are published on pages 17-18 = congratulations to those who took part, we hope you had fun!

JUDGING.

Are you one of the people who judge the NALA courses on a regular basis? Have you ever thought about becoming an official NZKC agility judge? If you think you might be interested drop me an email and I can give you more information. Judging is fun, is a great way to stay connected with the sport and you get to travel around the country.

Have fun, from Karen



~ NALA REPORTS ~

Double Perspective from the Top Arf

By Rosemarie J Baker & Diana Mckay

Rosemarie's ranting Ramble

Mount Maunganui

The weather prediction wasn't the best for this day. It turned into a lovely sunny day with a fair bit of off shore breeze coming over the sand dunes.

Judges provided some great jumpers courses, I think pretty much everyone liked them. Well didn't hear any moaning while they were being walked. I was happy enough when I won one of the Lyn Sayers JB courses.

A film crew from Kina (?) productions were at the venue interviewing and filming Chelsea Mariner. They interviewed several other people and filmed most of the events. It is for a program probably being released early next year on dogs and the jobs they take part in including what dog owners do with their dogs. Hopefully I have this information correct, that was the gist of it from the director and the camera man. The cameraman also commented on how he thought the agility sport was awesome and it made a change filming dogs instead of horses.

We were told of a Spur Wing Plover (birdie) that was nesting her chicks; she was very near one of the ring set ups. We were asked nicely to try avoiding this mother, who was rather upset about our appearance. In all fairness though, she had made her nest right out in the middle of the paddock almost, she obviously wasn't thinking of about condensed housing in the area and thought she would take whatever land available without proper building consent. Someone had put a dog pen around it so she had some safety. However, the story goes that once the last person left the grounds on Saturday

mother and chicks were seen walking off across the paddock to find some upmarket suburb with less noise and better day care facilities.

Diana was not feeling her best and Scott not having slept well, both as always did their usual magic and had certificates with results done in quick time. Price giving was nice and early leaving enough time for Lauren Holmer to run her fund raising novelty event.

After a nice run for the dogs along the paddocks we then returned to Welcome Bay and our warm dry accommodation. A storm was approaching.....

Tauranga

After plenty of rain over night it looked like it was settling in for the day when we left for the grounds on Sunday morning. Sure enough it kept raining; it was continuous with the only dry spell at the end of the day. Tauranga's grounds held up well in the rings with judges doing their best to avoid the boggy bits after each event. However, outside the rings in the entrances and finishes it was mud pools that I am sure African elephants would have just loved to roll in.

Some of the dogs didn't fancy running in the rain and tried their best to leave the ring whenever the finish line was in view. Mine along with most other dogs just got on with it.

A Jumpers Grand Champion evolved with Caitlin Frater & Geuse Not only did Caitlin get a good dousing with buckets she was also lucky enough to be given a roll in the mud. Another bit of news, but not recognised on the day was Jumpers champion Louise Franklin & Indi from my club Akarana.



Louise didn't miss out on her dousing though; we managed to do this on Tuesday night after training.

August Link Course

We have a few club members who are new competitors and have joined Link. This has increased our Link membership triple fold.

The course was a lovely jumper's course, just right for the newbies. We completed our Link course on Tuesday night; it's the first time can recall there were lots of clear rounds.

This was very exciting especially for some who have never had a Link clear round before.

Team Trials held Counties DTC

Entry numbers were low this year which was to be expected considering the distance to travel, the expense to get there. Still there were some who came for the run and some who came to trial seriously for the team. Saturday has 6 in starters, 15 in senior, 19 Intermediate and 10 Novice. The courses were a lot of fun and some were challenging. So now it is down to the team selected to bring home the shield to ZONE 1!!! **GO ZONE 1!!**

Daisy Peel Seminar

This was organised by Fiona Ferrar and held in Hamilton on a farm out in Ohaupo. Great venue and we were very fortunate to have a lovely sunny day. This was just as well as the four layers I wore in the barn never came off, there was a breeze off and on blowing through the barn. Thankfully there was no rain that day.

Daisy is quite inspirational and most helpful. The morning Jumpers foundation handler's class was very interactive. Daisy got round all the participants sharing and sometimes demonstrating with your dog. Auditing participants were asked to assist the handlers with props or advice. This was most helpful as they could see what you might be doing not so quite right and critique you also.

The afternoon was a Blind cross handler's class. This was a little harder to grip from the auditing point of view, but I'm sure the han-

dlers of this class got great stuff from it.

The day had around 60 participants and who were all supportive to the handlers when trying their moves in front of everyone, which of course can be quite nerve racking when everyone is watching. I for one got many tips and will benefit for attending this seminar. Thanks for organising it Fiona.

I was also approached this month from another person who said they read and enjoyed reading our Nala reports. Particularly Dian's stat reports, they found these very interesting. Yay! We now have four readers.....

Showsec Section:

So the only events in our region this month were Mount Maunganui and Tauranga's Jumpers Championships.

Jumper's events are quite popular, with classes pulling in around 100 or more dogs each. There are always three way splits in Zone 1 and 2 (though Jumpers C can be hit and miss recently - either not splitting or going four ways!).

I'm particularly grateful to the Mount club for deciding to choose to run all three rings simultaneously throughout the day instead of sometimes as advertised in their schedule. It meant we were scheduled for a 2:30pm finish but that actually eventuated into a 3:50pm finish with prize giving hot on the heels of the last dog exiting the ring.

Tauranga's show also had an early finish, but for a different reason. Weather: The rain that had been forecast for the weekend saved it all up for Sunday's event and gosh, it was awful. The scratchings were many. The third set of classes seemed incomplete, but no, it was all due to people heading home for hot showers and a need to have dry feet. Jumpers A3 had 100 dogs entered, with only 70 competing (70%). Jumpers B3 was the worst with only 73 from 121 (60%) and Jumpers C3 65 from 93 (69%).

Here's hoping for better weather for WAG's event at the end of this month. Stay healthy everyone and happy agilitying!

The Lower North by Lloyd Palleson

A quiet month in my neck of the woods

DAWG ribbon - 10 August

Judges were Chris Moody and Karen de Wit

Honours were shared between DAWG and Upper Hutt members.

EA and EB were taken out by some promising new DAWG combinations Lucy Tanahill/Nugget and Chrissy Joy/Sassy respectively.

Upper Hutt's Fiona Turner won starters with Stacey, Kim Nicol and Lulu won Senior and Brenda Young and Schatzi Gamblers C.

DAWG's Jo Kilmister and Zoe took out Novice, Bex Sidwell and Seeka won Intermediate and Gamblers B.

Fielding jumpers champ – 16 & 17 August

Some stand out results by some combinations at this event. Annette Burmeister had a great weekend with Ezee Dezee winning all 4 JC maxi classes on the Saturday and another on Sunday for good measure. Dianne Reid and Jamaica took out all 3 JA medium on Saturday. Carl Ranford and Rhyme won 3 x JC medium classes over the weekend.

Others to do well included;

Kevin Burnette & Biz a JC medium win

Bill Stewart and Mikie a JC small win

Helen Doney and Chloe a JC medium win

Claire Smit and Bailey a JB small win – now a Jumpers A dog

Jane Aukett/Holly a JB small win and a couple of 2nds – A dog

Wendy Osmond and Gunnah a JB maxi win!!

Bronwyn Morgan and Ricki a JB small win

Sandra Athea and Rose a JB small win – another A dog

Amanda McKennie and Zip a 1st and 2nd place challenge

Stacie Clark and Rusty 2 1st place challenges

Myself and Stellar a 2nd place challenge, Zing a 1st place challenge

Jenny Benson and Abby a 2nd place challenge

Celina Lovejoy and Riot a 2nd place challenge

Jude Haase and Tikka a 1st place challenge

Penny Nalder and Rio a 2nd place challenge

Whew with 6x jumpers and lots of splits there's quite a lot to report on. That's all folks.

Canterbury Tails

By Sue McKee, Rez and Zest

Well, I'm back from my big overseas trip and what an amazing trip it was. I loved every single minute of it. Europe is a stunningly beautiful and special place. A spectacular part of the world and their cities are amazing. Had plenty of exercise while we were away, as every day involved walking kilometres and climbing hills, steps etc so really enjoyed not being stuck at my desk.

One of the things that struck me was how welcome dogs are in public places. In Turkey it was rather sad to see the stray dogs, although they are doing "trap, tag, desex and release" in Istanbul to a certain extent. The dogs aren't mistreated but many of them are homeless, which is sad to see. Then we go to Italy, Spain etc and the dogs are pampered and it is lovely to see them allowed in public places, cafes, trains etc. Come back home and one of the headlines in the local rag is about the poor Jack Russell who has been banned from his owner's barber shop due to "health" reasons. Hmm, tell that to the many restaurants in Spain who have an obligatory cat and often a dog as well. Why is this country so precious?

So ... back to reality.

There was a bit of agility happening while I was away, namely the CCOC/Selwyn combined indoor show which I was gutted to miss as I love the venue. I believe it went well, although I haven't checked out any results. There have been a smattering of ribbon trials as well, and recently the team trials were held with fierce competition within the zone for the spots. The team looks like a really good team and all spots were well deserved:

Starters - Tim Conolly and Mouse

Novice - Lisa Duff and Fault

Intermediate - Roselle Bremmers and Quiz

Senior - Natasha Neame and Tricot

Wow - what a depth of experience in that team. I'm looking forward to cheering you guys on from the sidelines this year.

Right, that's it from me this month. See you next time.

Central Bark by Linley Barrett

Unfortunately I missed the deadline for the previous months. Life gets so busy! Plus I have had a case of amnesia. Have I already reported on Queen's birthday event?? Eeek! Anyway, here goes.

Nelson Queen's Birthday Championship Event

Well another big Queen's Birthday event done and dusted. Always a big weekend for us as our club does not have huge numbers. From memory I think we all made it home before dark. Thanks to the lovely Heather Drewett, Martin Bush, Susan Tansey and Steve Tansey for the brilliant judging. And courses, of course! This event always seems to bring a mix of north and south islanders to it, which is good. Sandra Goodwin (Blenheim) continued on her winning ways and took out a number of ribbons. Congrats, Sandra! Congrats to Tartasha Gorrie and Lia. Into Senior now. Woot-woot! Congrats to everyone else and hopefully you achieved your goals to some extent whether they were small ones or large.

CCOC and SDTC Indoor Event

Another great indoor event at the equestrian center. I always really enjoy these, even if they are a tad cold! With the McKees on their awesome holiday, we decided to have a wee adventure and stay in a motel for a change. We also took the Kaikoura coast route for something different to do.

Interesting the shift in the numbers now. The upper levels all now split, and the starters level not.

I was pleased to get my final AD out of the way with Fluke. And grabbed Highest Qualifier to boot. Our wee Nelson bunch each scored a ribbon. Natasha Neame (Blenheim) doing well as usual. She also ran Dave Cook's dog and grabbed him some ribbons/firsts. Big thanks again to Canterbury and Selwyn for a great event.

NALA LIBRARY.



Books

Peter Lewis Teaching agility
 Clean Run, Workbook- Introductory,
 Intermediate, Advanced
 Clean Run, Games book
 Clean Run, Course design book
 The Clothier Natural Jumping
 Method, by Suzanne Clothier
 Jacqueline O'Neil, All About Agility
 Christine Smith, Your Secret Coach
 Building Blocks for Performance
 Peak Performance - Coaching the Ca-
 nine Athlete M.Christine Zink
 Jumping from A to Z M. Christine
 Zink
 Course Analysis for Agility Han-
 dlers Stuart Mah
 Ruff Love Susan Garrett
 Shaping Success Susan Garrett
 Dogwise John Fisher
 Excel-erated Learning Pamela Reid
 Developing Jumping Skills

VHS

Ruth Hobday, Pups progress
 Ruth Hobday, Advanced control exer-
 cises.
 Puppy Love - Raise your dog the
 Clicker way.
 Greg Derrett Foundation Video
 Greg Derrett, - Great Dog, Shame
 About the Handler

DVD

4 on the Floor
 2x2 Weave Training
 Agility Fix It, Contacts & Weave
 Poles
 Agility Foundation Training
 Best of the 2006 FCI Agility World
 Championships
 Best of the 2007 FCI Agility World
 Championships
 Contacts: Bridging the Gap Be-
 tween Training & Competition
 Crate Games for Self-Control &
 Motivation
 Foundation Jumping 4-DVD Set
 Foundation Training for Agility 3-
 DVD Set
 Great Dog Great Handler, The Win-
 ning Combination
 Great Dog, Shame about the Han-
 dler
 How to Win at Gamblers and
 Snooker
 On Course to Excel
 Reliable Running A-frames
 Success with One Jump 2-DVD Set
 World Class Weaves
 In FOCUS Crying for Control
 Go the Distance Vol. 1

LIBRARY ENQUIRIES

DARRYL JEWISS, 33 Bell Rd,
 Lower Hutt 5010 ,
 ph: 04-972-7701.

Email: djewiss@paradise.net.nz
 OR library@nala.org.nz

NALA Junior Comp (NJC)

Jane Aukett can be contacted on markjane.aukett@xtra.co.nz

YKC Results—July/August

Beginners 11 & Under

Eva McIlhinney	Tammy	Whangarei	0/12.69	1
Emily Koller	Halo	CCATS	0/13.845	2
Niamh Lappin	Bazil	CCATS	0/15.225	3
Zack Lappin	Sam	CCATS	0/21/315	4
Emily Koller	Max	CCATS	5/24.842	5
Amelie McIlhinney	Sanchez	Whangarei	D	
Zack Lappin	Jake	CCATS	D	
Niamh Lappin	Topsy	CCATS	D	

Experienced 8-11

Paige Aukett	Bobby	Upper Hutt	0/33.588	1
--------------	-------	------------	----------	---

Beginners 12-15 years

Lauren Meyers	Belle	Mangawhai	0/10.078	1
Lauren Meyers	Miley	Mangawhai	0/14.322	2
Jaime Triggs	Chase	Mt Agility	5/11.116	3

Experienced 12-15 years

Erin Ball	Mist	Mangawhai	0/21.529	1
Erin Ball	Claire	Mangawhai	5/33.306	2

YKC Results June

Beginners 11 & Under

Emily Koller	Max	CCATS	0/14.575	1
Emily Koller	Halo	CCATS	0/15.624	2
Zack Lappin	Jake	CCATS	0/18.373	3
Niamh Lappin	Bazil	CCATS	0/18.792	4
Zack Lappin	Sam	CCATS	0/21.295	5
Niamh Lappin	Topsy	CCATS	D	

Experienced 8-11

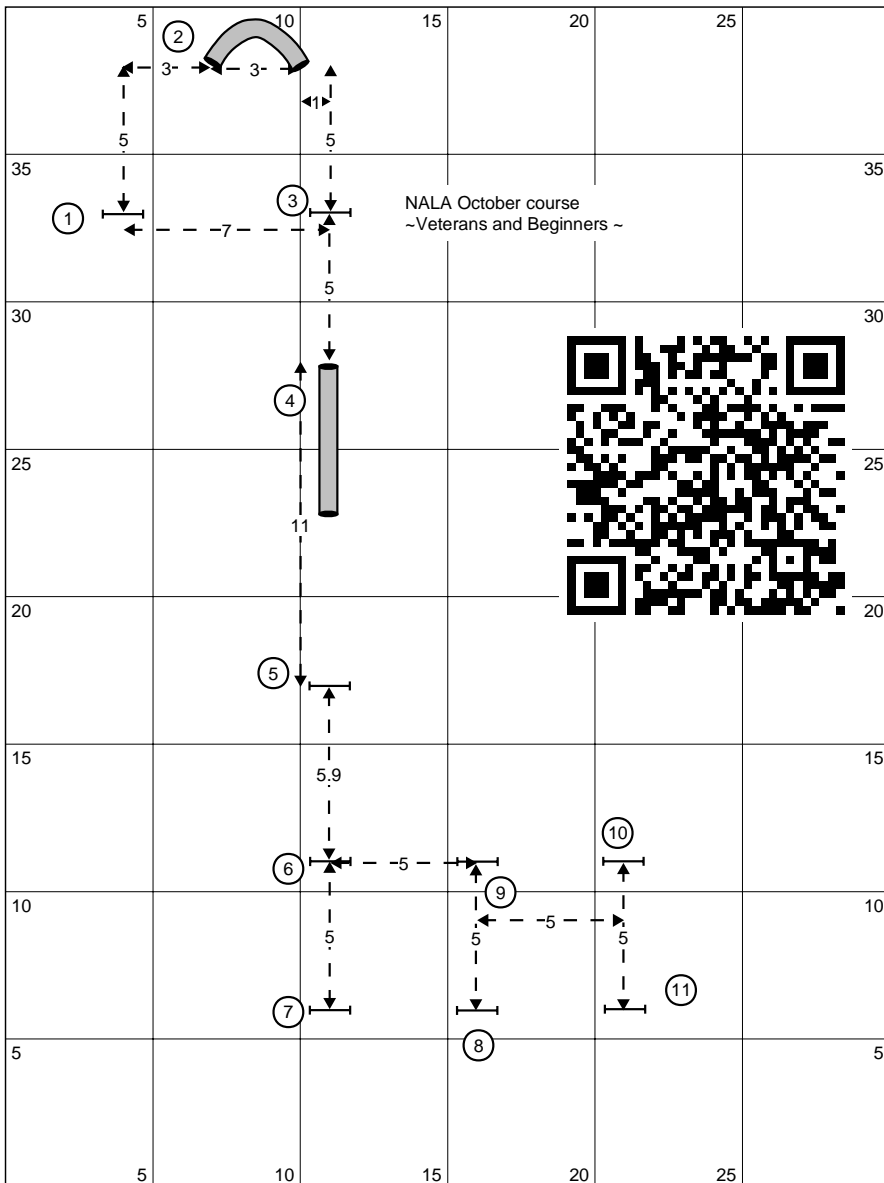
Emily Sharratt	Pickle	Selwyn	0/43.326	1
----------------	--------	--------	----------	---

Beginners 12-15 years

Lauren Meyers	Belle	Mangawhai	0/12.41	1
Jaime Triggs	Chase	Mt Agility	0/13.413	2
Lauren Meyers	Miley	Mangawhai	0/18.66	3

Experienced 12-15 years

Erin Ball	Mist	Mangawhai	5/28.082	1
Erin Ball	Claire	Mangawhai	5/31.919	2

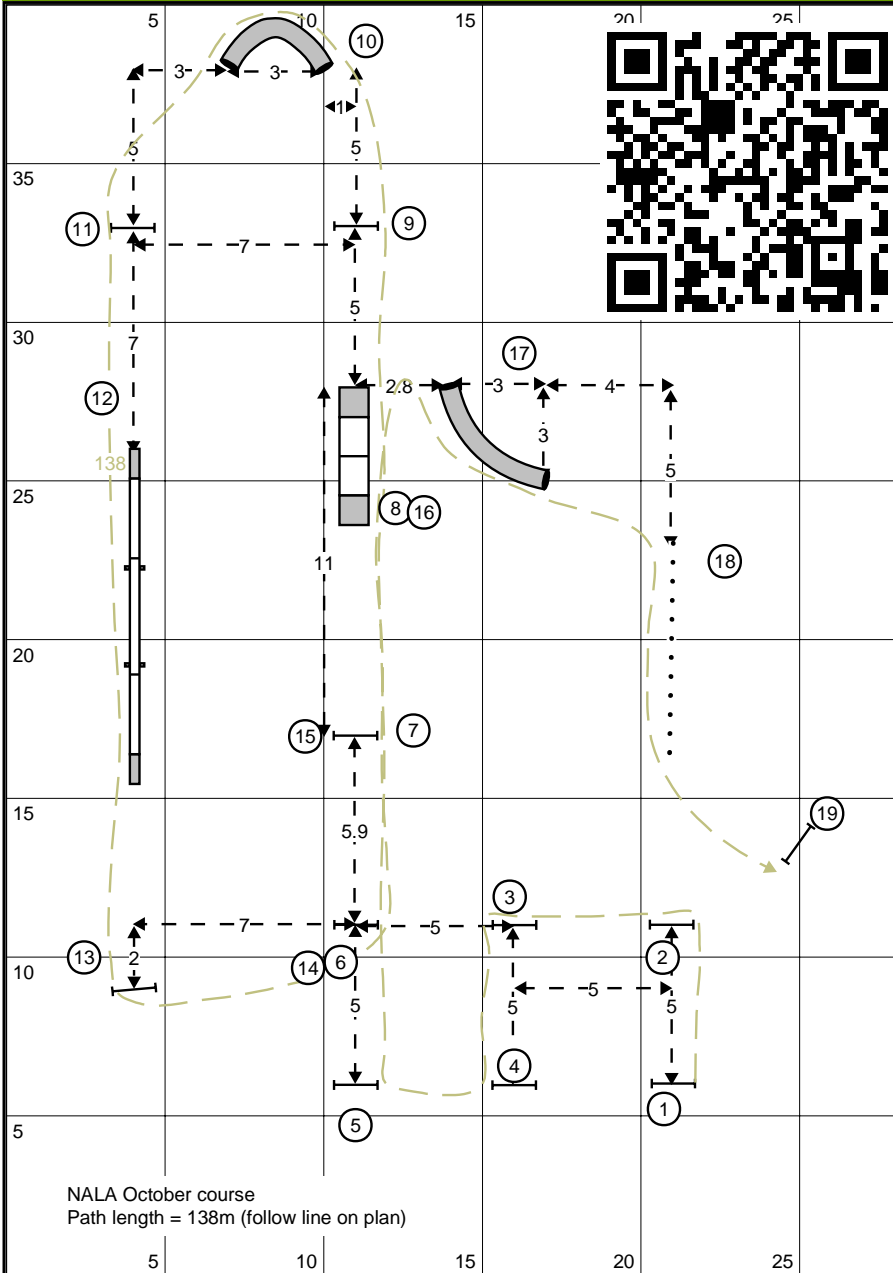


Beginners and Veterans 2014-2015 series

Beginners results to markjane.aukett@xtra.co.nz

Veterans results to kp Dewit@xtra.co.nz

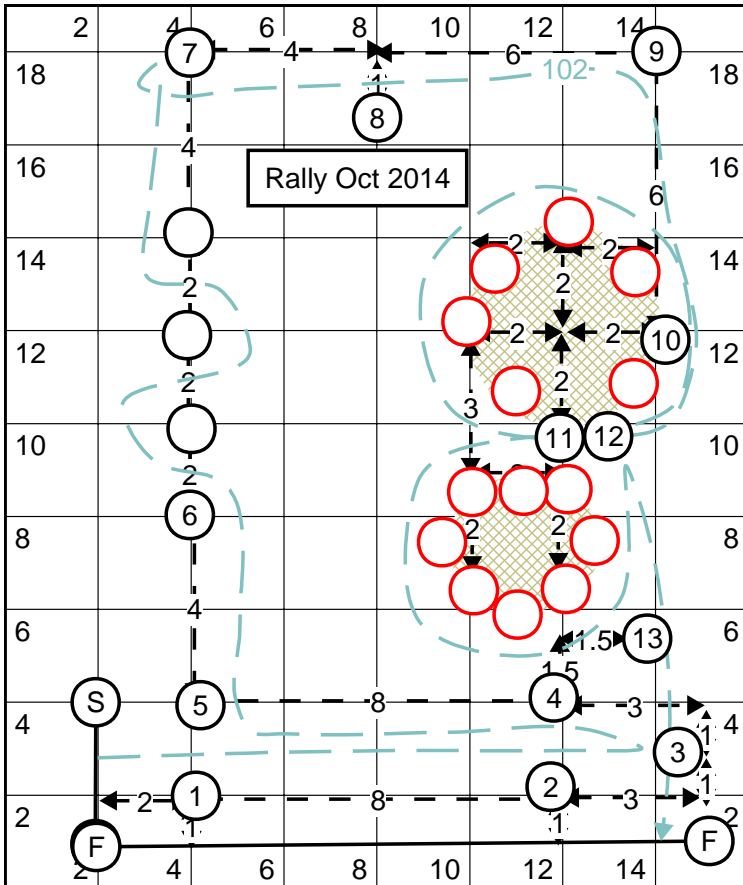
AGILITY LINK COURSE for October



Path length = 138m (follow line on plan)

New Zealand Association of Rally-O

Sept 2014



Send Results to : MIKE BUTLER by end of the month

See www.nzaro.webs.com for
plan and full results.

1. Halt 1-2-3 steps (25)
2. Slow pace (18)
3. left about turn (29)
(NZARO#2)
- 4 Normal pace (19)
5. right turn(5)
6. Serpentine weave once (24)

7. 270 left turn (10)

8. Moving down (27)

9. right turn (5)

10. circle right dog outside (N#2)

11. Circle left dog on inside (N#3)

12. About turn right (7)

13. 360 right (11)

Form 2 circles with cones, with a small gap between them.

August Rally O Link Results

1	Norwest DTC	Rosalind Walkington & Fletcher, Maree Green & Teddy, Rosalind Walkington & Emma	100.00	257.4
2	Wanganui DTC	Betsy Gleeson & Suede, Betsy Gleeson & Flint, Betsy Gleeson & Trace	100.00	292.2
3	Sunshine Whk	Gina Boreham & Drift, Gina Boreham & Shine, Trish Funnell & Molly	100.00	307.8
4	Hawkes Bay DTC	Dot Janssen & Jana, Dot Janssen & Scarlett, John Carbin & Lusi	100.00	310.7
5	Selwyn	Sue Neale & Chynah, Sue Neale & River, Sue Neale & Flynn	99.67	311.9
6	Canterbury COC	Gay Bouterey & Angel, Janelle Mackie & Chilli, Kelly Walker & Scout	98.67	352.1
7	Upper Hutt DTC	Gillian Cruickshank & Sky, Jo Searle & Daisy Jayn, Jo Searle & Maxine	98.33	366.8
8	Central ADTS	Vivienne Lewis & Ramble, Jan Voss & Pippa, Marise Annelie & Jasper	97.33	348.8



MIDI	NALA Triathlon #1		Gamblers		Gamblers		J/Pairs		J/Pairs		Snooker Snooker	
	Place	Dog # Name	Total Time	Total Pts	Dogs Time	Points	Time	Points	Time	Points	Time	Points
1	G224	Quickmagic C's the Day	107.555	57	36.94	55.46	24.54	46.08	48			
2	K219	Quickpaws Fast Finish	114.689	52	39.72	55.46	24.54	50.43	21			
3	G213	Cheeky Hobson	160.579	50	35.53	5.00	75.00	50.05	51			
4	H222	Heidesa Dazzle-in-Chocolate	165.907	45	34.42	5.00	75.00	56.49	46			
5	J207	Goodee Goodee Two Shoes	156.537	43	39.39	5.00	75.00	42.15	15			

MAXI	NALA Triathlon #1		Gamblers		Gamblers		J/Pairs		J/Pairs		Snooker Snooker	
	Place	Dog # Name	Total Time	Total Pts	Dogs Time	Points	Time	Points	Time	Points	Time	Points
1	K630	Quickpaws Ali Cs the day	107.561	59	37.58	50.01	24.99	44.99	48			
2	K621	Nera	126.412	39	42.17	41.24	33.76	50.48	43			
3	J632	Lady Bella Boo	130.512	50	38.97	51.81	28.19	63.35	13			
4	D613	Kiltie	140.117	46	37.24	47.20	27.81	75.07	7			
5	H645	Rafoej Fire Cracker	169.372	36	41.35	5.00	75.00	53.02	13			
6	F617	Jed	120.987	40	37.50	5.00	75.00	8.49	1			

SMALL	NALA Triathlon #1		Gamblers		Gamblers		J/Pairs		J/Pairs		Snooker Snooker	
	Place	Dog # Name	Total Time	Total Pts	Dogs Time	Points	Time	Points	Time	Points	Time	Points
1	J104	Xzeta Whoo Hoo Lulu	119.843	39	39.14	51.81	28.19	52.52	39			
2	L135	Feergus	132.649	39	40.43	36.00	34.00	59.22	29			
3	J003	Berji can dwit	128.736	22	46.36	36.90	43.10	39.28	18			
4	K132	Autumn Rose at Whitout	142.813	49	36.94	5.00	75.00	30.88	6			

Snooker, results over 40, Gamblers over 50, Jumpers pairs who finished.

SNOOKER

PI	Handler	REGISTERED NAME	Pet name	Total pts	Dogs Time
1	Deb Jackson	Cheeky Hobson	Cheeky	51	50.045
2	Peter de Wit	Quickpaws Ali Cs the day	Ali	48	44.99
3	Peter de Wit	Quickmagic C's the Day	Quick	48	46.077
4	Mandy Ward	Heidesa Dazzle-in-Chocolate	Skip	46	56.486
5	Rosemary Paddison	Nera	Nera	43	50.481
6	Erin Ball	Ohutu Mist Dazzle Me	Mist	41	46.56
7	Pamela C Cartmell	Shadow	Shadow	41	70.22

GAMBLERS

PI	Handler	REGISTERED NAME	Text55	Total pts	Dogs Time
1	Peter de Wit	Quickpaws Ali Cs the day	Ali	59	37.58
2	Nevenka Paterson	Quickpaws on Q	Q	59	38.233
3	Annette Flanagan	Lifes A Breeze at Ohutu	Breeze	58	37.79
4	Erin Ball	Ohutu Mist Dazzle Me	Mist	57	36.84
5	Peter de Wit	Quickmagic C's the Day	Quick	57	36.938
6	Amanda J McKennie	Adrenaline Rush of Mordor	Rush	54	36.94
7	Nevenka Paterson	QuickPaws Zee the Phantom	Zee	53	37.377
8	Amanda J McKennie	Just Zip Thru It	Zip	52	37.524
9	Nevenka Paterson	All Tied Up	Tai	52	37.688
10	Karen de Wit	Quickpaws Fast Finish	Finn	52	39.719
11	Deb Jackson	Cheeky Hobson	Cheeky	50	35.534
12	Lorraine Hazlewood	Lady Bella Boo	Bella	50	38.972

JUMPERS PAIRS

Dogs	REGISTERED NAME		Handler	Total Fits	Dogs Time
G224	Quickmagic C's the Day	Quick	Peter de Wit	0	24.540
K219	Quickpaws Fast Finish	Finn	Karen de Wit	0	24.540
J104	Xzeta Whoo Hoo Lulu	Lulu	Kim Nicol	0	28.186
J632	Lady Bella Boo	Bella	Lorraine Hazlewood	0	28.186
J003	Benji can dwt	Benji	Karen de Wit	0	43.100
L148	Janan Diamonds N Silver/Cameo	Cameo	Gillian Cruickshank	0	43.100
K630	Quickpaws Ali Cs the day	Ali	Peter de Wit	5	24.991
L201	Adrenaline Rush of Mordor	Rush	Amanda J McKennie	5	24.991
D613	Kiltie	kiltie	Darryl Jewiss	5	27.805
H601	Just Zip Thru It	Zip	Amanda J McKennie	5	27.805
K621	Nera	Nera	Rosemary Paddison	5	33.758
I247	Lady Jess	Jess	Deborah Shute	10	34.002
L135	Feergus	Feergus	Anne M Packer	10	34.002

Full results on NALA website

CLUB COMPETITION

Division1

1	Upper Hutt 1	QuickMagic	Peter de Wit	15.881	51.433
		Ali	Peter de Wit	17.310	
		Dee	Karen de Wit	18.242	
2	Mangawhai	Mist JDX	Erin Ball	16.529	51.552
		Razz	Annette Flannagan	16.770	
		Meg	Annette Flannagan	18.253	
3	Counties	Knight	Hayley Rohde	16.611	52.108
		Flick ADX.S	Hayley Rohde	16.796	
		Charm ADX.S	Hayley Rohde	18.701	
4	Otago 1	Flash ADX.JDX	Reece Smith	17.655	55.204
		Vida	Wayne Grant	18.679	
		Briar AD JDX	Karen Grant	18.870	
5	Waimak 1	Quiz ADXG JDX FDRoselle Bremmers		17.870	55.359
		Radler	Anne Godfrey	18.103	
		Baz	Helen Lappin	19.386	
6	Blenheim 1	Jazz	Natasha Neame	16.298	56.252
		Toby	Marcela Zatloukalova	19.937	
		Ninja	Nic Furby	20.017	
7	Wairarapa	India JDX	Dianne Reid	18.673	60.604
		Fern	Caragh Briggs	20.555	
		Milly JD	Caragh Briggs	21.376	
8	Sth Canterbury	Travis	Natasha Coulter	19.980	63.303
		Euro	Natasha Coulter	20.688	
		Benji	Bronwyn Rumble	22.635	
9	Mt Maunganui 1	Thanx	Debbie McFarlane	17.451	63.892
		J J Cricket ADX	Jan Murden	19.343	
		Lace	Jude Doyle	27.098	
10	Cambridge	Spark ADX JDX	Julie McConkey	20.312	65.218
		Paris AD JD	Paul Needham	21.691	
		Rocky ADX JD	Paul Needham	23.215	

Division2

1	North Taranaki 2	Naki Zip Bella	Clare Wellington Polly Catlin-Maybury Lynn Pillette	16.305 17.170 19.666	53.141 17.170
2	Hawkes Bay 2	Roxy Echo JDX Abby	Campbell List Lex Clare Lex Clare	16.112 20.141 20.155	56.408
3	Mt Maunganui 2	Ta Myer Tyde JDX	Debbie McFarlane Frazer Delamere Maggie Marriner	18.998 19.949 21.125	60.072
4	Central HB	Fly Pepsi Maggie	Catherine Harty Sheelah Stevens Olwyn Johnston	16.845 23.025 24.630	64.500
5	Nelson 2	Mayhem Turbo Rosie	Diana Martin Nikki Steyn Lola Anderson	18.881 21.582 26.310	66.773
6	Selwyn	River Bela Hagrid	Sue Neale Hazel Littlejohn Penny Hallowes	17.722 21.401 27.726	66.849
7	CCATS	Viper Izzy Finch	Kathryn Snook Kathryn Snook Sandra McHugh	22.060 22.597 25.367	70.024
8	North Shore	Rowan Cassidy JD Hiska	Bruce Ronald Jacqui Wigmore M van Rijnberk	22.907 23.862 28.001	74.770

Division3

1	East BOP	Joy JDX Joker JDX Kwila JDX	Tina Mitchell Una Forrester Una Forrester	16.810 19.530 19.780	56.120
2	Wanganui 3	Bailey Bleu JD F Maggie Gem	Claire Smit Holly Dawson Nicola McDowell	18.500 18.700 20.820	58.020
3	Horowhenua	Smarty Jen	Aprille McGee Nicola Chalmers	19.185 19.963	61.105

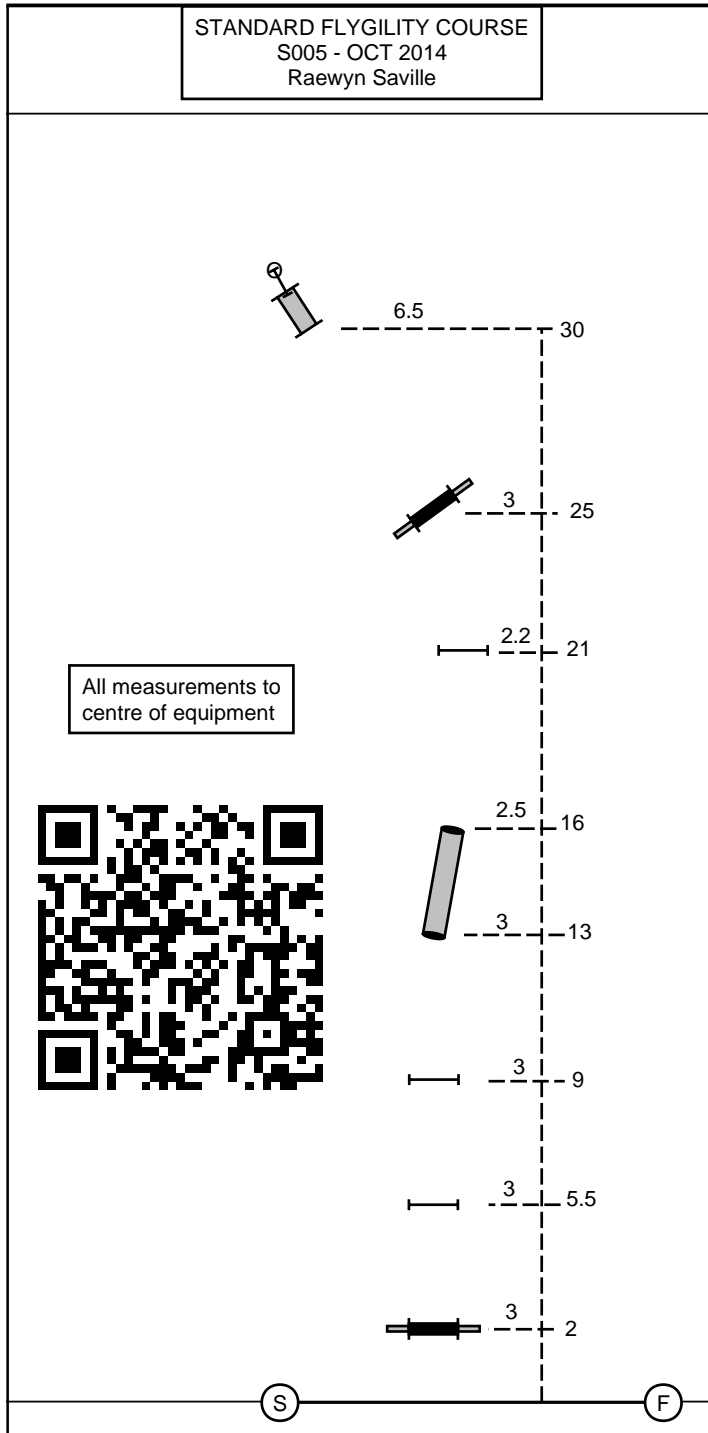
		Fancy JDX ADX	Aprille McGee	21.957	
4	Canty COC	Henery Campbell Dan	Robyn Sanders Debbie Moss Norma Wilson	19.969 20.608 22.507	63.084
5	Hawera 3	Zee Trudy JDX Trudy Meiah	Shanice Clements Shanice Clements Carol Galliers	17.603 23.728 24.076	65.407
6	Akarana	Indianapolis ADC Jess Sam	Louise Franklin Kim Thomas Rob Mosen	21.502 21.648 23.385	66.535
7	Tauranga 3	Jacqui Tulli Harley ADX JD F	Rusty Jones Shelley Clark Helen Fabling	20.638 21.586 27.664	69.888
8	Waimak 3	Toffee Jazz Kaos	Helen Lappin Teresa Fitzgerald Leeanne Russell	20.699 21.428 30.004	72.131
9	Mt Maunganui 3	Zara Flynn JD Chase	Ron Kenny Maggie Marriner Jaime Triggs	25.038 25.908 26.549	77.495
10	Whangarei	Max Basil ADX JD Meg ADX-S, JD	Elise Tudman Anne Cozens Christine Fifield	24.220 29.750 31.750	85.720

Division4

1	Blenheim 4	Joker Raider Jack	Natasha Neame Natasha Neame Sheryl Vincent	18.521 18.523 19.723	56.767
2	Hawera Hoons	Rhyme Siri Riley	Carl Ranford Catherine Massey Vivienne Pert	17.184 17.946 25.199	60.329
3	Sth Rangitikei	Niko ADX.JDX Shaylar FD Gem	Sandra Mohekey Barbara James Julia Crouch	19.250 21.880 22.370	63.500
4	Southland	Ruffy JDX Midge	Joanne Rennell Joanne Rennell	19.715 22.095	64.018

		Ella	Karen Turner	22.208	
5	Upper Hutt 4	Cash	Wayne Turner	21.163	66.220
		Holly	Jane Aukett	21.909	
		Fergus	Anne Packer	23.148	
6	Hawkes Bay 4A	Kaizer	Jane Webley	20.880	69.101
		Jana	Dot Janssen	22.042	
		Shuffle	Robyn Fargher	26.179	
7	Norwest	Jinx	Tracy Hart	20.718	69.231
		Jenna	Tracy Hart	23.968	
		Lass	Colleen Lauder	24.545	
8	Dog Sport Rotorua	Chan	Raewyn Saville	25.260	80.510
		Boston	Christine Hutchings	26.600	
		Boo	Raewyn Saville	28.650	
9	Hawkes Bay 4B	Misty	Chrissy Harris	23.148	83.393
		Scallywag	Jackie Olley	29.733	
		Soda	Jacky Carbin	30.512	
10	North Taranaki 4	Diaz	Rae Mayhead	20.291	85.715
		Zoe	Sharon Schmidt	31.857	
		Gympie	Laurel Austin	33.567	
11	Tauranga 4	Onyx	Gail Handley	25.469	97.308
		Faber JD	Kate Audas	26.386	
		Cricket	Cherie Saunders	45.453	

STANDARD FLYGILITY COURSE
S005 - OCT 2014
Raewyn Saville



Flygility.. by Raewyn Saville

Running Tournaments for Flygility is just another part of running a Dog Training Group and Dog Sports is getting back into the routine of Tournaments having shifted grounds twelve months and a bit ago. I really like running Tournaments for NZFDA members as they all chip in and help. I have got to the stage where I set up the initial Senior and Advanced Courses and then Geoff Gillies or one of the other keen Advanced Competitors Anne Morrissey or Shaneka Kelly just take over that course space and run new courses they design and judge and wave flags and all I have to do is have a couple of box loaders doing their thing. Then I can concentrate on staffing the Beginner and Intermediate ring and leave the others to it with the occasional call for me to run my dogs in the Advanced and Seniors.

Our one day tournaments do not attract huge numbers to our Rotorua group which is good because there are a few points spread around some of us who are struggling to get those valuable Advanced points to make up our Champs. I always come out of a Flygility tournament with a positive feeling about the sport. It is always such a great way to spend the day and I see such fantastic new dogs coming on all the time it is just inspirational. Thank you to all who joined us on 10th August.

Recently I received an email from Allan Rohde with a list of new Flygility Champs and their email addresses. He asked that I email out to them all and ask for a photo and a few words to grace the Nala Fly pages. I faithfully sent out the email requests and have one response so far. To the rest of you, if you send in your information and photo then you too will appear on this page.

There is very little feedback coming through the system to let me know how you feel about the courses, the degree of difficulty, whether you want harder work or easier work. We have only had one person supply a course design so far. I am still wondering what

I have to do to get a response negative or positive. I find it hard to believe that everyone is mega happy and doesn't want any changes, it doesn't sound like the people I hear constantly thinking that things can be improved. That is good and healthy as long as it is out there helping change happen and not just grumbling behind closed doors. Full participation is about caring that the sport you love is progressing and that the organizers are enthusiastic and open to change and challenge. It is up to the users, consumers and/or members to make the sport hum. We can only do so much organising at the organising end. Happy Flying

New Flygility Champ - Christine Wallace and Dallas

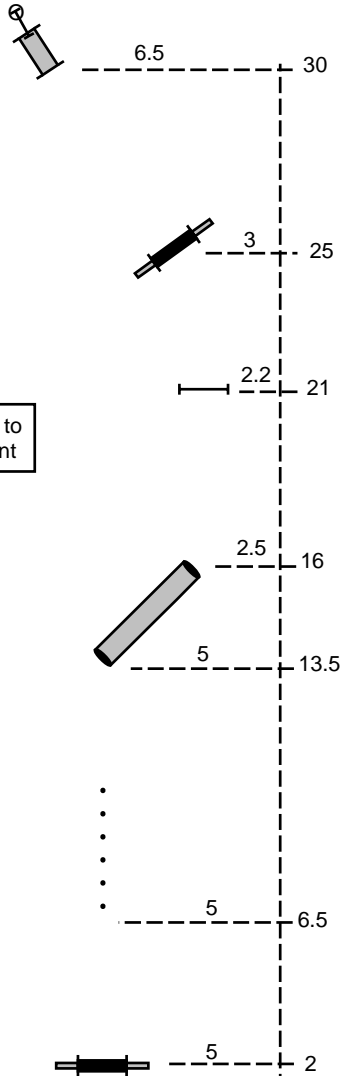
Dallas & I ventured into Flygility when he was 2½, due to a lack of time on my part and Dallas's first attempts at the flybox resulting in him triggering it facing backwards & with his rear feet. When we finally attended a training session at Counties, Dallas caught on pretty quickly.

Fly soon became his most favourite game. He understands he is racing the other dog and with his usual 110% enthusiasm he often knocks rails - whether this is in the effort to be first over the line, or so that he gets to do it all again in a rerun I'm not entirely sure! Despite this, he has had some awesome "photo finish" runs against other Fly Champions and he loves every second of every run.



CHALLENGE FLYGILITY COURSE
C003 - OCT 2014
Raewyn Saville

All measurements to
centre of equipment



STANDARD FLYGILITY RESULTS

1	Counties Stars	30.775	Buzz FDX.JD Knight Mac. ADXG JDX	Chris Charlton Allan Rohde Shirley Hall
2	Hawkes Bay 1	31.104	Q QuBa Roxy	Sharon Simonsen Colleen O`Connor Campbell List
3	Top DAWG	32.387	Seeka Spicy JDX ADXB Mya ADXG JDX	Rebecca Sidwell Rebecca Sidwell Marian Holman
4	North Shore 1	33.590	FD Tequila FDCh Dash Cassidy JD	Robin Toan Kay Ungemuth Jacqui Wigmore
5	Counties Knockers	34.473	Bounce FDCH Chloe. Quick	Marie Wales Shirley Hall Margaret Anderson
6	Counties Multi-Sized	34.800	Jasper Shanti AD JD CGC Yogi	Carol Marriott Gabi Kuster Louise Van Meygaarden
7	Mount High	35.020	Ziggy Cheeky ADXG.JDX Skip JD	Sue Andresen Deb Jackson Mandy Ward
8	Waimak 1	36.158	Angel Saffy Quiz ADXG JDX FD	Chris Knowles Jacki Lassen Roselle Bremmers
9	Upper Hutt	37.220	Jete' FD Stacey FD Zeba	Sharon Hastings Wayne Turner Wayne Turner
10	Ball fighters	37.920	Echo Niko ADXAg, JDX Finn	Nichola Cole Sandra Mohekey Barbara James
11	Hawkes Bay 3	38.333	Misty Rosie Scallywag	Chrissy Harris Heather McGrannachan Jackie Olley
12	Dog sports Rotorua team 2	38.900	Bella Jess Astro	Leonie Neilson Hilary Quemby David Prendergast
13	Wairarapa 2	39.160	Milly JD Sam JD Smudge	Caragh Briggs Stacie Clark Ana Workman
14	Counties Railers	39.285	Charm ADX.S FDCH Minx Swift FD JD	Allan Rohde Margaret Anderson Hayley Rohde
15	Feildabull	39.400	Pulse FD	Sandra Mohekey

		Shaylar FD	Barbara James
		Shadow FDX	Nichola Cole
16 Wairarapa 1	39.657	India JDX	Dianne Reid
		Jamaica	Dianne Reid
		Tasman ADX JDX	Sharleen Drummond
17 ORANGE RUFFIANS	40.353	Jack AD FD	Chris Ross
		Pepsi	Sheelah Stevens
		Taku	Chris Ross
18 Deputy DAWG	41.968	Zephyr ADXB JDX	Marian Holman
		Zoe	Joanne Kilmister
		Jack	Helen Brady
19 North Shore 2	42.670	Bracken	Sheeran Johnson
		Bess	Dave Swinyard
		Tua Terminator	Jacqui Wigmore
20 Dog Sports Rotorua team 1	43.000	Boston	Christine Hutchings
		Jay	Hilary Quemby
		Chan	Raewyn Saville
21 Taranaki Hardcore	44.720	Song	Rae Mayhead
		Gyp	Vivienne Robertson
		Breeze	Rae Mayhead
22 norwest 1	44.870	Floyd	Joan McFarlane
		Pippa	Colleen Lauder
		Teddy FD	Karen Smith
23 Counties Pandaris' Boxes	46.613	Mandy	Sylvia Lord
		Pan	Kim Orlando-Reep
		Turbo	Di Stephens
24 Unforgettabull	50.500	FDCH Jordy ADX	Barbara James
		Albert JD	Elsie Marriott
		Pepsi FD	Nichola Cole
25 Dog sports Rotorua team 3	51.530	Shadroc	Alex Jones
		Bootz	Christine Hutchings
		Sophie	Debbie Trimbach
26 norwest 2	54.660	Chester FD	Joan McFarlane
		Jinx	Tracy Hart
		Tripp	Samantha Redmond
27 Taranaki Blazers	57.120	Bella	Lynn Pillette
		Diaz	Rae Mayhead
		Kashin	David Robertson
28 Counties Whippety Skips	65.867	Coal	Marie Wales
		Quilla	Kim Orlando-Reep
		Rogue	Di Stephens
29 Upper Hutt	71.780	Jete'	Sharon Hastings
		FD Stacey	Wayne Turner
		FD Zeba	Wayne Turner
30 Wairarapa 3	102.370	Fern	Caragh Briggs
		Rusty	Stacie Clark

		Whizz	Debbie Paterson
31 Ted E Trio	107.410	Jess	Judy Towers
		Moss	Diane Haydon
		Ted	Chris Moody
32 Taranaki Harlequins	120.940	Samos	David Robertson
		Zoe	Sharon Schmidt
		Gympie	Laurel Austin
33 Hawkes Bay 4	5555.000	Biggie	Chrissy Harris
		Hemi	Gillian Petterson
		Pepper	Heather McGrannachan
33 Counties Oopsy Daisies	5555.000	Mandy JD	Diana Sheehan
		Peaches ADXG JDX	Chris Charlton
		Tosca	L Van Meygaarden
33 Hawkes Bay 2	5555.000	Jana	Dot Janssen
		Ringo	Dot Janssen
		Treason	Campbell List

CHALLENGE RESULTS

1 Counties Ladies of the Knight	46.475	Bounce Knight	Marie Wales Allan Rohde
2 Wairarapa 1	49.160	FDCH Minx India JDX Jamaica	Margaret Anderson Dianne Reid Dianne Reid
3 Ball fighters	53.090	Tasman ADX JDX Niko ADXAg, JDX Shadow FDX	Sharleen Drummond Sandra Mohekey Nichola Cole
4 Counties Mixed Bunch	54.843	Shaylar FD Coal	Barbara James Marie Wales
5 Counties Midis	62.423	Peaches ADXG JDX Shanti AD JD CGC	Chris Charlton Gabi Kuster
6 Wairarapa 2	63.840	Buzz FDX.JD Charm ADX.S Yogi	Chris Charlton Hayley Rohde L Van Meygaarden
7 North Shore 1	95.820	Fern Milly JD Sam JD	Caragh Briggs Caragh Briggs Stacie Clark
8 Taranaki Blazers	138.590	FD Tequila FDCh Dash Bracken	Robin Toan Kay Ungemuth Sheeran Johnson
9 Counties Mini Movers	139.021	Song Bella Breeze	Rae Mayhead Lynn Pillette Rae Mayhead
		Jasper Mandy Tosca	Carol Marriott Sylvia Lord L Van Meygaarden

QUBa catches another tennis ball!



AGILITY LINK.

COPY: All copy - correspondence, articles, etc should be sent to the Editor. All copy must have the name and address of the contributor. Limit number of words to 500 or one A4 page. Copy may be abridged or edited.

COURSE PLANS – Any member may submit course plans. Supply as Course designer or in scale in black pen on an A4 sheet Portrait size, or Course Design computer format. Publication is not guaranteed.

AGILITY LINK does not accept responsibility for the views expressed by contributors and retains the right not to publish submissions for reasons of space or suitability.

ALL SUBS TO THE TREASURER. Cheques should be made payable to NALA. Payment must be received by the 27th of the month to be current.

EMAIL GROUP: to join send a message to:
NZAgility-subscribe@yahoogroups.com

WEBSITE: located at <http://groups.yahoo.com/group/NZAgility>

RESULTS: www.nala.org.nz

ADVERTISING.

\$10 - 1/4 page ~ \$15 - 1/2 page ~\$20 - full page



... Dogs love it!

Stockists of:

CONTACTACOAT

FOR DOG AGILITY CONTACT EQUIPMENT
DEVELOPED DOWNUNDER COVETED AROUND THE WORLD

FarmTek / Agility Timing Systems



Rigid and Chute Tunnels

Also for:

Tunnel Huggers (Sml & Lrg)

Agility Scribe Sheets

Timer Accessories

Coloured Certificate Card

Rubber Slats
Measuring Sticks
Agility Record Books
Waterproof Paper

Agility Stuff Ltd, 213 Oruanui Rd, RD 4, Taupo 3384

Phone/Fax 07 376 7069

Email: schnauzer@paradise.net.nz

www.agilitystuff.co.nz