

October 2013

**NATIONAL
AGILITY
LINK
ASSOCIATION**





National Agility Link Association (formed 1989)

CENTRAL COUNCIL comprises Secretary, Treasurer, and NALA Reps.

EDITOR/SECRETARY

KAREN DE WIT, 74A Kirton Drive, Riverstone Terraces, UPPER HUTT 5018
Ph: 04/528 6796. Mob:021 1240174 Email: kpdewit@xtra.co.nz

TREASURER

FIONA FERRAR, 630 Te Kowhai Rd, RD8, HAMILTON 3288 Ph: 07 829-7016
Ph: Mob: 021 358-996 Email: f.ferrar@actrix.co.nz

NALA REPRESENTATIVES.

NORTH ISLAND.

KIM ORLANDO-REEP, Pepepe Valley, RD2, HUNTLY 3772
Ph: 078266725 Mob: 0274488896 E: kim@rockinghorses.com
HELEN FABLING, 17 Tarata Street, Matua, TAURANGA 3110
Ph: 07 5767058 E: fabling4@kinect.co.nz
KIM NICOL, E: jeff.kim@clear.net.nz

SOUTH ISLAND.

SUE McKEE:- 203 Mandeville Road, RD 2 Kaiapoi 7692,
Ph: 03 312 6264 Mob: 027 290 8182
E: suemckee2001@yahoo.com
LYNLEY BARRETT: Lrbarrett@xtra.co.nz
RAEWYN LECKIE E:- raeleckie@gmail.com

RESULTS RECORDER (Agility)

Results may be viewed at www.nala.org.nz For more information contact
MIKE BUTLER, 146 Clyde St, Island Bay, WELLINGTON. Ph: 04/383 8143.
Email: mbutler@ihug.co.nz

RESULTS RECORDER (Flygility)

ALLAN ROHDE, 167A Runciman Road, R D 2, Pukekohe, AUCKLAND.
Ph: 09-2385464; Email mark.iii@clear.net.nz

*NOTE: All results must be in by the **last day of the month.***

LIBRARY ENQUIRIES

DARRYL JEWISS, 33 Bell Rd, Lower Hutt 5010 , ph: 04-972-7701.
Email: djewiss@paradise.net.nz OR library@nala.org.nz

MAGAZINE DISTRIBUTION

CAROLE LOGAN Email: distribution@nala.org.nz



EDITORIAL

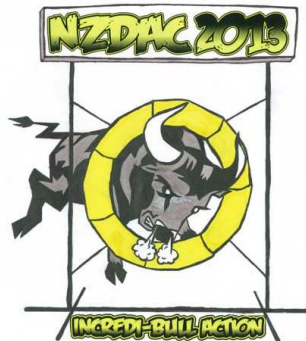
by
Karen de Wit



NZDAC, Bulls.

Only a few weeks to go!

Like everyone says every year—we have a massive number of entries to get through in a day x 4. A huge undertaking by a bunch of volunteers, woohoo— let’s all have a good time.



GAMES EVENTS

We have been offering Games classes via NALA for a number of years, and it is nice to hear of a bit more enthusiasm for Games classes, with Lyn Sayers inviting people to his place New years Day for a games fundraiser for Tiffany and Storm.

Looking forward to a few more Clubs being adventurous and adding Games to their weekend offerings!

SUMMER IS HERE!

Jandals, shorts and T-shirt today, must mean summer is here. My favourite time of the year. Gardening is fun with lots of things growing. and lots of lawn mowing too!

~ NALA REPORTS ~

Top Ärf Report by Kim Orlando-Reep

Photos courtesy of Auckland Area Agility.

WAG Aug 31 Sept 1

Dear Windows 8. I do not like you. Where have you hidden my Zone report for September? And just when I thought I had you sorted ...I wish you'd morph back into an earlier Windows - newer is not always better! So this month you will be receiving highlights only from what has been a very busy agility month in the upper North island.

September started with Wag's 2 day event, careful moved on the calendar to confuse everyone...and succeeded, with several people missing the closing date! Fortunately the lovely Wendy Bragger was more than flexible and accepted entries from some very grateful punters – (including me.....)

I have mixed feeling about WAG events. Always great well run shows, but don't like the venue; too much traffic, too many non agility people, and a nightmare to park if you happen to have a motorhome. I had to get up really early in order to get a parking place at all and had to contend with Keri Neilsen who always managed to beat me to it and get there first and save the best park for Karen and Peter de Wit's motorhome. Not sure if judges should be allowed to come and bring their partners if they're going to win more than their fair share of the prizes, especially in the spectacular fashion Peter exhibited in a couple of his runs...and the de Wits cleaned up Dave Cook's Senior with a win in both maxi and midi sections. I enjoyed running all the visiting judges courses; Karen's Intermediate caused some dogs a certain amount of consternation with a seesaw early on followed by an adjacent dog walk pointing in the same direction a few obstacles later. Most of the dogs approached with caution, thinking it was the seesaw and quite a bit of odd shuffling movements on the up contact slowed a few down!

I was looking forward to running Dave's Senior, which I liked the look of, but managed to screw up spectacularly, having come cold from

another ring - but had better luck with Karen's Senior, tho didn't quite go clear but came home with a few minor placings in other classes.

Haulton Border Collies from Cambridge had an impressive weekend with a number of wins from their homebred dogs run by Paul Needham, and also a couple of wins by Haulton Tobias (Tom Tom) and Daryl Hogg.

Young handlers dominated the Intermediate classes with Kathryn Martin and Volt and Caitlin Frater and Geuse winning in the Midi and Small sections and also taking the Top Dog trophies – Caitlin with most of the WAG ones and Kathryn sharing with Chelsea for the overall Top Dog trophy. Pupil and mentor! You taught her too well Chelsea! Huntly Agility are very proud of Kathryn as she is now a prized member of our small club. Socially it was a most enjoyable weekend and great to catch up with Dave Cook again. Even the weather behaved despite the forecast.

Huntly

Huntly ran it's 2nd ribbon trial, 3rd event overall in the 3 years we've been going, on 14th September, using mainly our own members. I must say I was a little nervous about this as most of them are new to agility, but we held a couple of sessions to explain what's required and everyone worked hard to make it work. Thanks to those outside helpers who pitched in and assisted where necessary, especially putting up new courses in my ring, which is usually when people magically disappear. Although the forecast was not encouraging and it rained overnight, the entries were very good and the weather was fine until mid afternoon, when it packed up and rained – but by then the AD was running and over in good time despite a fairly big entry. Irene Smith (Seelly) did a great job for her first solo show, but Mr Cock Up did manage to get his foot in the door when it came to print the clear round certificates. The printer received an update the previous night and packed a sad.

Mangawhai/Whangarei

I can never work out why at some shows my dogs run as if someone

has actually trained them and win stuff, while others...well, we won't go there. So as they always run well up North, Mangawhai/Whangarei is one of my favoured ribbon trials. It's also enjoyable driving through some different country and seeing what the farmers north of Auckland are doing. Both are small friendly clubs with not many members, but they seem to be remarkably successful at home and away. I was surprised to find the weather so cold, so much for the winterless north, I had the heating on! Too cold to sit outside at night (alho we did try it!) I don't know how people survive in tents ! Steve Chester, Abi Lister, Janette Davis and Chris Richardson built some nice courses and with a set of Agility and Jumpers each day and ADX and AD and both days finished quite early.

ACAC/Counties

Both held at Te Hihi with ACAC's event not attracting the best weather with a biting cold wind straight off the sea keeping the temperature down. Despite a wet week these grounds drain really well and the underfoot conditions were good, although there were some wet patches which prevented me from straying too far off the hard drive with my front wheel drive vehicle. Again the courses were flowing and enjoyable - my dogs went well although I was disappointed with the handler's performance...definitely a case of could do better...Spider had a great run in Brett's A jumpers – only bombing out at the very end. Not impressed when Brett told me he only put in the last 2 jumps as an afterthought...

A heart stopping moment occurred when Tane Desmond and Flick were having an outstanding run in Allan Rohde's Senior and a loose dog ran into the ring. It was one of those gutting events that might not have had a happy ending.....but the re-run was good enough for a well deserved win. I love watching Tane and Flick, an awesome team with a great bond – and of course I'm not biased!

I felt a bit sorry for a couple of the judges who seemed to be suffering from winter maladies. Neither Kirstin Graves or Alan McClumpha looked in the best of health – and Alan seemed to be in one ring judging for most of the the day on both days in fairly bleak conditions.

The first highlight on Sunday was Nick Chester making up Edge to agility champion. After impressive wins at the NZDAC last October, Edge has been sidelined for months with an injury, so amazing

that he has come back to fitness and form so quickly – and brilliant handling by Nick.

The last great event of the weekend was Deb Jackson making Cheeky up to Jumpers Grand Champ. Another outstanding and consistent combination and a well deserved grand champion. Luckily the wind wasn't quite so cold for the wettings....photos to follow.....PS..Didn't get to Tauranga....but must record that Melissa Stephens and Blue were made up to champ status and hopefully I can steal some pics of that too.

Middle North Report by Helen Fabling

This report is my final one and I would like to thank a few of you that over the time have given me input for our Zone 2 report. I would like to say thank you to Jocelyn, Anne P, Deb J, Christine G and not to forget Ngaire. Without your help I wouldn't have lasted this long!

I just hope that you folk out there in Zone 2 support our new Zone 2 Rep.

As there was no report from me for August, I would like to mention **Taupo Champ & R/T end of that month.**

Another great weekend away with many great runs by competitors and their dogs. We also were able to witness the opening of the new Clubrooms. A great occasion for those members who did the hard work to achieve this. Once the grounds and rooms are completed the Taupo club won't know themselves. I know our Tauranga club have a big task ahead of them especially if the Council Clerks have their way and we are moved from our present grounds.

September seems to be a great month for members and their dogs gaining AG Champ and Grand Jumpers Champ.

Kim Loye (aka Blondie) from CHB made Loose up to Agility Champion at North Taranaki.

Christine Gabb from Taupo made Reva up to Agility Champion.

Mel Issa from Cambridge doing the same at the Tauranga Show on

the Saturday.

Deb and Cheeky are now Grand Jumpers Champs, gaining their final win on Sunday at Counties.

Well done – that was awesome and great to watch some of the wettings. Glad I will never have to worry about that!!

Tauranga 21st & 22nd September

Saturday and Sunday saw Tauranga residents woken by thunderstorms that shook the house and lit the skies up around 4.00 - 5.00 a.m. followed by torrential rain on both occasions. Our club members were concerned that we were in for a very wet and wild weekend.

But no, someone up there must have heard our prayers and lo and behold, Saturday turned out to be an overcast warm day, ideal for running agility, and Sunday much the same and around lunch time we ended up with a bright sunny summers day. So again, another great show on our grounds. With large entries and running the 3rd ring saw both days finishing in good time.

With the new caterer and lovely smells wafting from the kitchen, saw more people lined up for Carols scones than out on the ring side waiting for their runs.

Zone 2 was prominent in the line-ups for ribbons, if I mentioned anyone then I would sure to miss someone, so well done everyone that made the line up.

Dyson's Sunday Senior 3 saw only one clear round in the Maxi and Midi and they went to Vern & Xena and Elaine & Bolt, there were several clears in the Mico/Mini, so obviously that course suited the smaller dogs.

AD – out of 102 entries there were 23 clear rounds, so well done guys.

It was nice to see Mike Butler up our way judging along with Tara, Dyson and Martin. Over the weekend we saw some great courses and runs.

Hayley & Kathryn demonstrated a new way to run your dog, apparently one must do either a gymnastic roll, or a forward roll of some kind! Is that replacing the front cross or rear one? I think I will

leave that up to the younger generation, because sure as eggs if I do that I would end up in the E. Dept. I must admit though, it did look spectacular girls.

I must mention that a certain Judge decided to remodel part of the park, leaving on the Saturday afternoon decided to take out the seat over on the far side of the grounds, and to boot, tooted her horn so everyone could see the improvements. Well done Tara.

Christine Gabb reports: Reva received her Ag Ch status at Hawkes Bay RT when she gained her final AD cert. Was a very happy day for me, also very wet and cold. Amanda McKennie, Kaylah Hill and a few others obliged with a wetting that included mud, grass, worms and raspberry drink. I had to dig the grass out of the shower before it would drain and my bra turned pink. Thank goodness for the van shower, would have been a very stinky drive home otherwise. Thanks everyone for your good wishes and support

Well this is Sayonara from me. Wishing you all the best for NZDAC in October. Adieus.

Mel Issa and Blue—Agility Champion. Cartwheeling at Tauranga





Hayley and Rain disappear...at Tauranga.

Lower North Report- by Kim Nicol

North Taranaki – September

The journey to New Plymouth was another “agility” first for me. I packed all the wet weather gear I own as the forecast was awful. What a job that would be, forecasting the weather, they can be wrong and keep their jobs as well as make agiliteers happy when the persistent rain they promise waits until you’re packed up and on the road.

At every show there’s someone or something that amuses, thanks to an unnamed DAWG member we weren’t disappointed. Here’s a handy tip, when “Intermediate” seems really easy perhaps you’ve walked “starters”.

Steve Chalmers and Basil put on an amazing A frame display that drew gasps from the crowd, when Basil became airborne from the up contact to the bottom of the down, it turned out to be a good ploy as they took out 2 Novice events as well as a 2nd in Jumpers B.

Pete de Wit had another good haul winning Intermediate 1,2 and 3 a Senior and a 1st and 2nd in Jumpers A. Wendy Bainbridge and

Pictures from
the UH
Leader—Liz
Barlow and
poodles, below
Sue Alexander's
Trixie.



One of the hard workers at
UHutt event—Skyla.



Bronwyn Morgan appeared in most Intermediate line ups while Polly Caitlin Maybury was pipped at the post into 2nd in Senior, and Karen de Wit got another challenge with Finn.
Thank you Taranaki – we'll be back.

Upper Hutt Jumpers – September 28 – 29

Another awful forecast gone wrong, despite the wind that made erecting tents nearly impossible we actually competed in near perfect conditions, most of the weekend.

Saturday's entertainment was provided by Liz Barlow taking a tumble over her wee



Kapiti Pair—Tanita and Sue, enjoyed Upper Hutt

...as did Zing and Sparky



Polly Poo but was spectacularly out done by Pete de Wit in Martin Bush's JA6 when he cut a corner and somersaulted over a tunnel – not bad to regain composure and still get a clear round. I didn't see any cartwheels, but perhaps the next time there are some contact obstacles we'll have some zone 3er's attempting them.

I reckon the South Island Girls you are welcome back anytime. Not only did they force the JA split, their two “wettings” were a lot

“meaner” and more entertaining than the North Island ones, at least we only use water. Not sure how they stayed awake for WOW - I went home on Saturday and put my clock forward so that going to bed at 8:45 was almost acceptable when it was really only 7:45.

The Kapiti contingent had a good outing with Tanita Bruce getting

Haze's team member badges for NZDAC Inter- Zone

her first clear rounds and a third place, Sue Honeywell got 1st & 3rd at her first ever Champ Show, very impressive, and Penny Nalder 3 x 2nd with Rio.

Top Dogs – JC - Rupert and Belinda Duncan, JB Nevenka

Paterson and Tai = Lisa Duff – Shake, JA Natasha Coulter and Jonty (made up to Jumpers Grand Champ)



Remember “you get what you train”. Good luck to you all at NZDAC – Go well Zone Three Team.

Canterbury Tails by Sue McKee, Teezsa, Rez & Switch

Yet another month almost done and dusted - won't be long now till NZDAC at Bulls. Yay! Can't wait. Righto, what did we all do this month?

Waimak champ event 7/8 September 2013

With the wet weather earlier in the year, the grounds at Waimak just didn't dry out. So the decision was made by the Waimak Committee to move the event up to Mandeville Sports ground, a popular decision by the sound of all the positive comments I heard. Of course whenever a club isn't holding their event at their usual club-grounds it means more work for the club, but it was well worth the effort with good parking, lots of space to walk dogs and a lovely surface - three things that wouldn't have been available if held at the normal venue of Rice Park. Rice Park ... hmmm, good for

growing rice, as in paddy field J

Lots of amazing runs, lots of “almosts” and “what ifs”. The results were dominated by Lisa Duff, Natasha Neame and the Cooks, with Dave I think winning Tag out of Starters. Nice to see Swift run by Hadassa from Nelson winning a Novice maxi, and Leeanne Russell with Pebbles and Helen Lappin winning with Halo in the “small” group. I was thrilled to win a Novice with my young dog, Zest, as well.

Tiny little Shake, Lisa Duff’s micro dog, seems to have found her feet and won both Jumpers B classes (and took out all three Jumpers B at Otago event last weekend as well) so is well and truly out of Jumpers B, and Kelly Walker’s Gael and Sue Neale’s Chynah, the two blue dogs, battled it out in Jumpers B midi to take out 1st and 2nd.

It’s been a quiet month in zone 4, unless you travel away to Dunedin (which I have done twice this month) so that’s it from me. Hopefully Linley will have a report on the Jumpers event held at Nelson.

Central Bark from Linley, Kliff and Fluke

Well it’s been a busy September work wise for me. Was pleased to get out and do some competing finally, the Saturday just been. Spring is certainly well and truly set in! The classic ‘I can’t decide what to do today’ spring Nelson days. Rain, sun, rain and sun at the same time!

Tunnellers Fun Day event in August

I’m sorry I don’t have the exact date! But anyway. A tunnellers event was held again with Tarsh Gorrie as one of the main instigators. Lizzie G did a lot of the behind the scenes organization but was unable to attend. This was held last year and is a great one for the new guys to have a go. Beginners went to Rueben T and Jet, Novice to Linda Mortimer and Haze, and the Open to Swift and Hadassa K.

Nelson Triple Jumpers Champ Event 28th September

This is our small show and I do have to say, I love it! Teresa Ford came back to her home town to judge and got rained on! Well, just a little bit. We did dry you out again with the sun. Overall a pretty good day weather-wise. Thanks for the great courses, it was nice to have you, Teresa! I was lucky enough to score three placings with the old boy, Kliff. Just when I'm thinking it's probably near his last show. Crazy spots (Fluke) managed a 2nd too. 'C' was still the largest class by far, with 'B' being relatively small (only about 5 dogs mostly in between by two in the Midi section for me, no time to run back to the car) and 'A' being even smaller in numbers. But at least Natasha Neame has a few to compete against now!

I had to leave early as it was off to nightshift for me, so I 'm afraid I haven't seen the full results. I am pretty sure Jane N from Blenheim was in the ribbons and I did see Kobe and Linda H in the line-up. Highlight for me is watching Jane N run the wonderful little 'Kat' (miniature Poodle). Guaranteed to have you laughing. It is just gorgeous the way she runs flat out, yapping her head off. And she gives the 'big guys' a run for their money too!

All the best everyone, spring is on it's way! Daylight savings have begun. Look forward to longer evening being able to train or just go for a walk with our four legged mates.

Picture shows Hannah owned by Lizzi Gillard.



NALA LIBRARY.



Books

Peter Lewis Teaching agility
 Clean Run, Workbook- Introductory, Intermediate, Advanced
 Clean Run, Games book
 Clean Run, Course design book
 The Clothier Natural Jumping Method, by Suzanne Clothier
 Jacqueline O'Neil, All About Agility
 Christine Smith, Your Secret Coach
 Building Blocks for Performance
 Peak Performance - Coaching the Canine Athlete M.Christine Zink
 Jumping from A to Z M. Christine Zink
 Course Analysis for Agility Handlers Stuart Mah
 Ruff Love Susan Garrett
 Shaping Success Susan Garrett
 Dogwise John Fisher
 Excel-erated Learning Pamela Reid
 Developing Jumping Skills

VHS

Ruth Hobday, Pups progress
 Ruth Hobday, Advanced control exercises.
 Puppy Love - Raise your dog the Clicker way.
 Greg Derrett Foundation Video
 Greg Derrett, - Great Dog, Shame About the Handler

DVD

4 on the Floor
 2x2 Weave Training
 Agility Fix It, Contacts & Weave Poles
 Agility Foundation Training
 Best of the 2006 FCI Agility World Championships
 Best of the 2007 FCI Agility World Championships
 Contacts: Bridging the Gap Between Training & Competition
 Crate Games for Self-Control & Motivation
 Foundation Jumping 4-DVD Set
 Foundation Training for Agility 3-DVD Set
 Great Dog Great Handler, The Winning Combination
 Great Dog, Shame about the Handler
 How to Win at Gamblers and Snooker
 On Course to Excel
 Reliable Running A-frames
 Success with One Jump 2-DVD Set
 World Class Weaves
 In FOCUS Crying for Control
 Go the Distance Vol. 1

LIBRARY ENQUIRIES

DARRYL JEWISS, 33 Bell Rd,
 Lower Hutt 5010 ,
 ph: 04-972-7701.

Email: djewiss@paradise.net.nz
 OR library@nala.org.nz

NALA Junior Competition

NALA Junior Comp (NJC)

Jane Aukett can be contacted on markjane.aukett@xtra.co.nz

NALA Junior competition results

Results July/August 2013				
Beginners 11yrs and under				
Niamh Lappin	Trixie	CCATS	0/26.785	1
Sophie Tarry	Dash	Cambridge	0/27.224	2
Michael Rickerby	Lexie	CCATS	0/54.103	3
Lauren Meyers	Miley	Mangawhai	5/37.796	4
Niamh Lappin	Bazil	CCATS	D	
Sophie Tarry	Storm	Cambridge	D	
Zack Lappin	Jake	CCATS	D	
Zack Lappin	Trixie	CCATS	D	
Kieryn Morris	Ace	CCATS	D	
Experienced 8-11 yrs				
Paige Aukett	Bobby	Upper Hutt	0/55.081	1
Flynn Bunter	Nettie	CCATS	5/55.034	2
Flynn Bunter	Lara	CCATS	D	
Beginners 12-20 yrs				
Nicole Davis	Amber	North Taranaki	5/28.733	1
Jessica Mortimer-Doyle	Lily	Nelson	5/39.037	2
Nicole Davis	Scarlett	North Taranaki	10/42.250	3
Jessica Mortimer-Doyle	Kola	Nelson	D	
Experienced 12-15 years				
Hayley Rohde	Flick	Counties	0/27.678	1
Hayley Rohde	Charm	Counties	0/30.874	2
Erin Ball	Claire	Mangawhai	0/34.510	3
Jaime Fleming	Pebbles	Waimak	0/39.356	4
Holly Dawson	Maggie	Wanganui	D	
Erin Ball	Mist	Mangawhai	D	
Jenne Jones-Poole	Zaidie	CCATS	D	
Experienced 16-20 yrs				
Lauren Homer	Bella	Mt Maunganui	0/33.29	1
Lauren Homer	Tessie	Mt Maunganui	5/35.93	2

Results Sept 2013**Beginners 11yrs and under**

Kieryn Morris	Ace	CCATS	0/17.518	1
Lauren Meyers	Belle	Mangawhai	0/18.180	2
Sophie Tarry	Storm	Cambridge	0/20.260	3
Zack Lappin	Trixie	CCATS	0/20.401	4
Sophie Tarry	Dash	Cambridge	0/21.960	5
Zack Lappin	Jake	CCATS	0/22.185	6
Niamh Lappin	Trixie	CCATS	0/23.351	7
Michael Rickerby	Lexie	CCATS	0/25.671	8
Niamh Lappin	Bazil	CCATS	D	9

Experienced 8-11 yrs

Paige Aukett	Bobby	UHDS	0/31.825	1
Emily Sharratt	Pickle	Selwyn	0/32.136	2
Flynn Bunter	Nettie	CCATS	0/37.733	3
Flynn Bunter	Lara	CCATS	5/46.491	4

Beginners 12-20 yrs

Nicole Davis	Amber	North Taranaki	5/15.791	1
Savita Dhanak	Wag	CCATS	15/24.995	2
Nicole Davis	Scarlett	North Taranaki	15/32.371	3

Experienced 12-15 years

Erin Ball	Mist	Mangawhai	0/20.566	1
Hayley Rohde	Flick	Counties	0/21.501	2
Hayley Rohde	Charm	Counties	0/22.502	3
Erin Ball	Claire	Mangawhai	0/22.747	4
Jenne Jones-Poole	Zaidie	CCATS	0/29.748	5

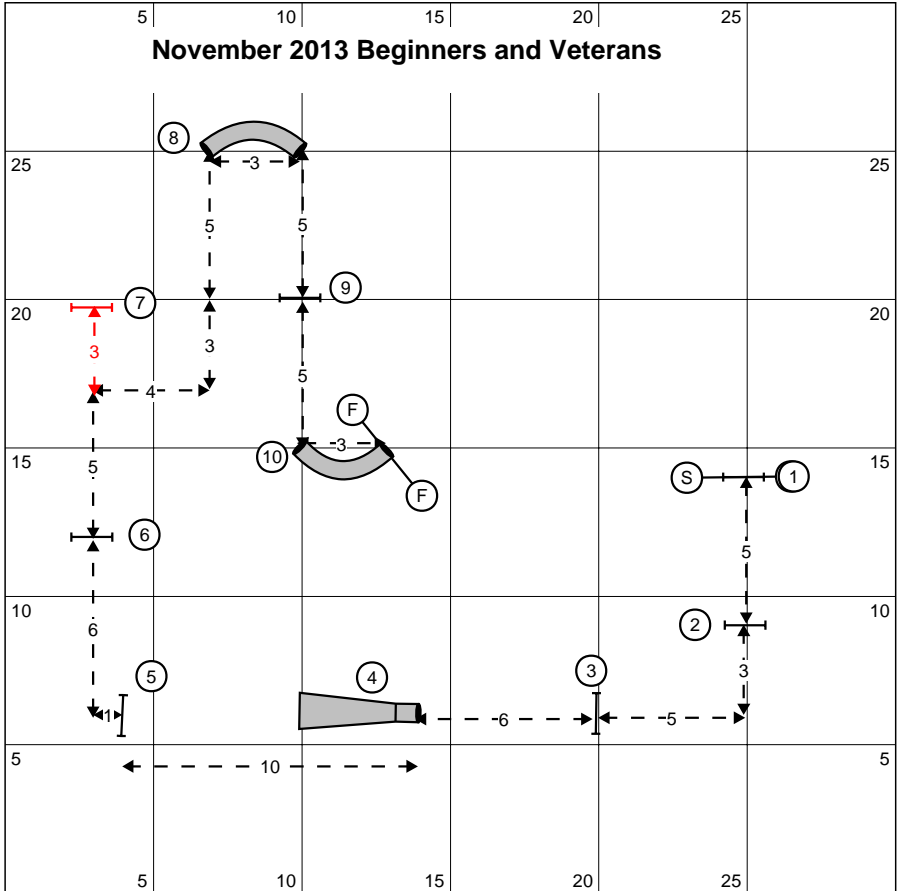
Experienced 16-20 yrs

Lauren Homer	Tessie	Mt Maunganui	0/25.40	1
Lauren Homer	Bella	Mt Maunganui	5/25.13	2

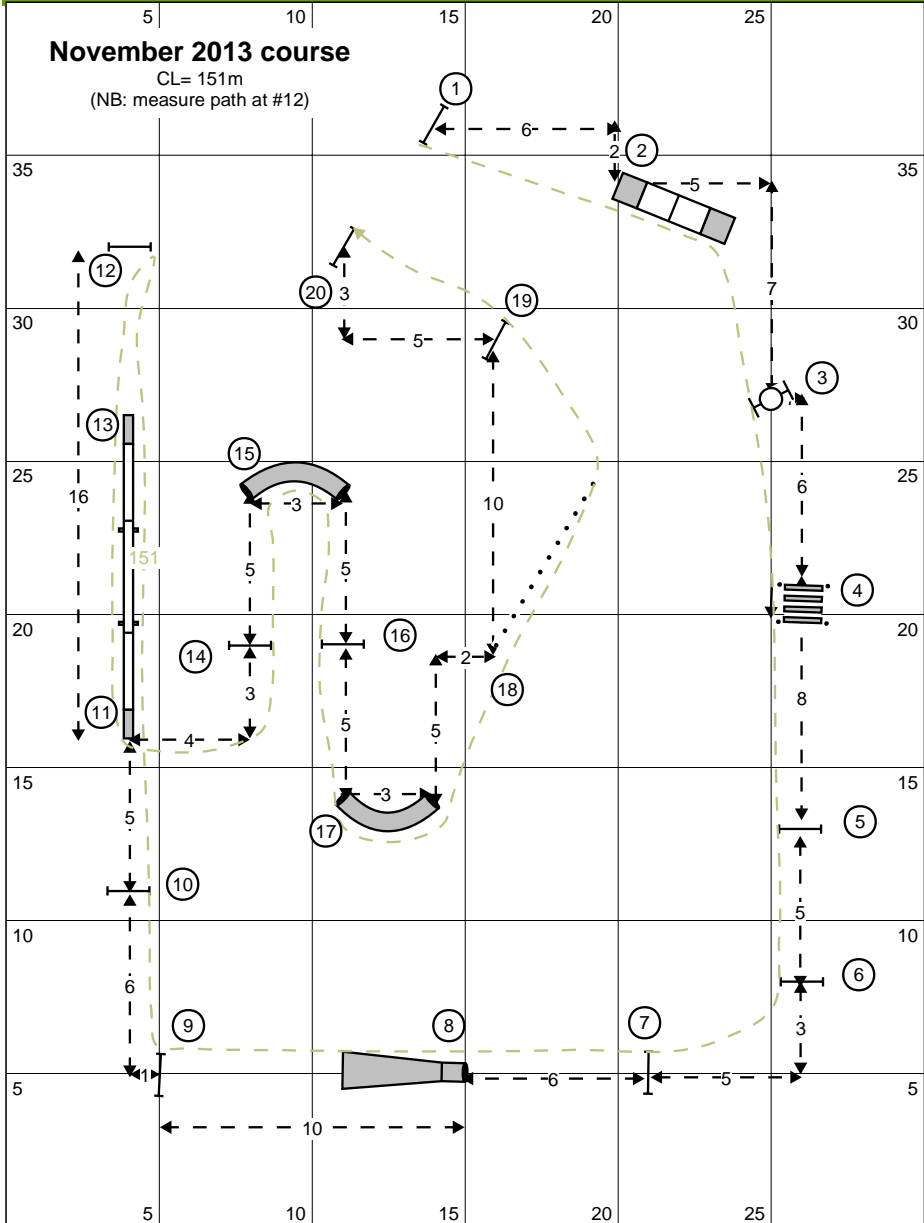
Beginners and Veterans course.

Beginners results to markjane.aukett@xtra.co.nz

Veterans results to kpdewit@xtra.co.nz



AGILITY LINK COURSE for November



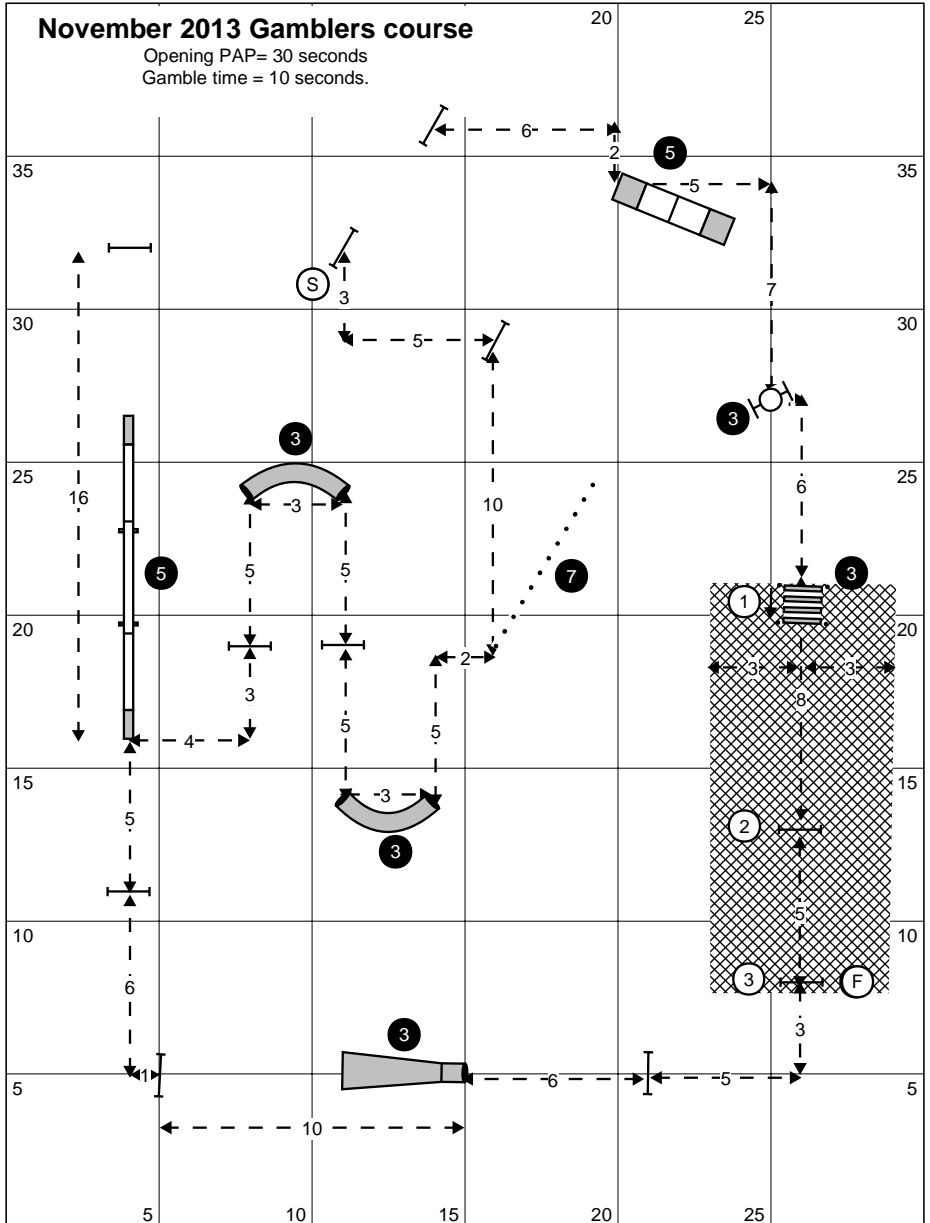
CL = 151 (NB: Measuring line at #12)

Game course—Gamblers

Results to kpdewit@xtra.co.nz

By end September.

Please ask for a spreadsheet to record results on.

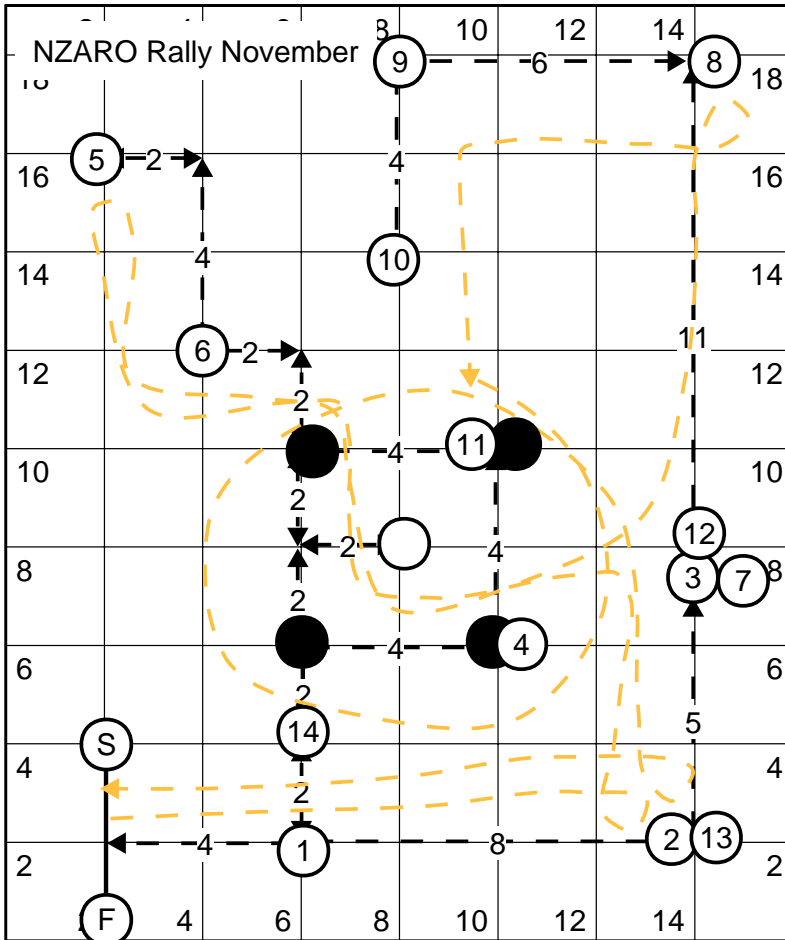


Rally Team results ~ September

PI	Club	Team members	Score	Time
1	Norwest	Maree Green & Ted, Rosalind Walkington & Emma, Rosalind Walkington & Fletcher	100.0	216.610
2	Mt Maunganui	Fiona Goodall & Promise, Fiona Goodall & Luna, Fiona Goodall & Epic	100.0	222.520
3	Hawkes Bay	Dot Janssen & Jana, Lorraine Lennox & Jantsee, Lorraine Lennox & Veesa	100.0	240.248
3	Wanganui DTC	Betsy Gleeson & Suede, Barbara James & Shaylar, Barbara James & Finn	100.0	253.780
4	Tokoroa DTC	Rachael Hunt & Brooke, Ed Hunt & Ayela, Rachael Hunt & Kelsie	100.0	272.740
5	Wairarapa DOC	Rebecca Conole & Blondie, Melanie Wyse & Jess, Melanie Wyse & Toby	100.0	394.580
6	Canterbury COC	Kelly Walker & Gael, Kelly Walker & Maddie, Gay Bouterrey & Angel	99.7	232.140
7	Sunshine Whk	Diane Rau & Pearl, Gina Boreham & Skye, Gina Boreham & Drift	99.7	251.530
8	FEILDING DTC	Rachel Rae & Yellow, Lynda Cummins & Chloe, Lynette Hughes & Bonnie	99.3	305.370
9	OTAKI	Fiona Brown & Annie, Noeline Wagener & Diva, Helen Carter & Dart	99.3	305.690
10	Central ADTS	Jan Voss & Pippa, Jane O'Callaghan & Ruku, Vivienne Lewis & Ramble	98.3	280.750

New Zealand Association of Rally-O

Oct 2013



Send Results to Email: mbutler@ihug.co.nz by October 31st

- | | |
|--|---|
| 1. call front , finish right, forward (13) | 9. left turn (6) |
| 2. 270 right (9) | 10. Halt sit, down (4) |
| 3. left turn (6) | 11. Circle right, dog outside (blk circles) |
| 4. serpentine weave once (24) | NZARO #2 |
| 5. About turn right (7) | 12. moving side step right (20) |
| 6. serpentine weave once (24) | 13. 270 left (10) |
| 7. Halt 1-2-3 steps (25) | 14. Call front, finish left, forward ((14) |
| 8. 270 right (9) | |

Full results at www.nzaro.webs.com

CLUB COMPETITION

DIVISION ONE.

1 Mangawhai	Meg	Annette Flannagan	14.650	46.393
	Mist JDX RN	Erin Ball	15.566	
	Razz	Annette Flannagan	16.177	
2 Counties	Bolt ADX.S	Hayley Rohde	16.455	50.458
	Flick ADX.S	Hayley Rohde	16.501	
	Charm JDX ADX.S	Hayley Rohde	17.502	
3 Mt Maunganui 1	Thanx	Debbie McFarlane	16.610	51.890
	J J Cricket	Jan Murden	17.524	
	Cheeky	Deb Jackson	17.756	
4 Upper Hutt 1	QuickMagic	Peter de Wit	16.609	52.115
	Finn	Karen de Wit	17.063	
	FDCh Jed ADX FDX	Anne Packer	18.443	
5 Waimak 1	Quiz ADXG JDX FD	Roselle Bremmers	16.961	53.917
	Force	Vanessa Trimble	18.332	
	Troy	Graeme Lawson	18.624	
6 Sth Canterbury	Jonty	Natasha Coulter	17.123	54.753
	Travis	Natasha Coulter	17.845	
	Chase	Alana Robertson	19.785	
7 Taieri	Mello	Richard Powley	17.410	56.650
	Kellie	Richard Powley	18.340	
	Bob	Don Leckie	20.900	
8 Otago 1	Jack	Reece Smith	18.164	62.525
	AgGrCh Pete	Anne Cook	20.284	
	Gear	Anne Cook	24.077	
9 Blenheim 1	Tricot	Natasha Neame	17.330	75.334
	Jazz	Natasha Neame	25.970	
	Toby	Marcela Zatloukalova	32.034	
10 Top DAWG	Seeka	Rebecca Sidwell	24.076	75.974
	Rico	John Fraser	24.858	
	Mya ADXG JDX	Rebecca Sidwell	27.040	

DIVISION TWO

1	Mt Maunganui 2	Epic Tazi Khia	Fiona Goodall Michelle Burggraaf Anne Proctor	16.708 17.569 19.650	53.927
2	North Taranaki 2	Amber Trump Jet	Denise Davis Maree Butterworth Maree Butterworth	18.689 18.844 19.206	56.739
3	Wanganui 2	Zak JDX Heydoh ADXS,JDX, Josh ADXS	Andrea Williamson Jonna Gibson Wendy Bainbridge	16.490 20.504 20.528	57.522
4	Canterbury COC	Henery Harmony Sno	Robyn Sanders Robyn Sanders Robyn Sanders	19.245 19.520 19.776	58.541
5	Cambridge	Zoe AD JD Zach Paris	Paul Needham Joe Tompsett Paul Needham	19.731 19.861 20.351	59.943
6	Central HB	Loose Taz Toonie ADX FDX	Kim Loye Kim Loye Chris Ross	16.842 19.168 24.004	60.014
7	WAG	Phantom Geisel Bella	Susan McKay Caitlin Frater Laura Dick	16.791 19.628 24.479	60.898
8	Nelson 2	Zig Fluke Kola ADX JD	Michelle Griffiths Linley Barrett Linda Mortimer	18.039 20.747 22.303	61.089
9	CCATS	Holly Viper Jezebel AD JDX	Leanah Magon Kathryn Snook Leanah Magon	19.980 20.820 21.674	62.474
10	Wairarapa	Tasman ADX JDX Milly JD Rusty	Sharleen Drummond Caragh Briggs Stacie Clark	17.623 22.415 23.043	63.081
11	Hawkes Bay 2	QuBa Abby Echo JDX	Colleen O`Connor Lex Clare Lex Clare	19.727 20.728 24.593	65.048
12	Selwyn	Beau	Carole Logan	18.547	65.781

Joe	Misha Baxter	23.541
Milly	Sarah Ward	23.693

DIVISION THREE

1	Wanganui 3	Shock JD Daisy JDX Ricki	Andrea Williamson Claire Smit Bronwyn Morgan	15.134 20.235 21.189	56.558
2	North Shore	Hiska Josie Rocky	Matilda van Rijnberk Bruce Ronald Simone O'Meara	17.681 18.119 21.448	57.248
3	Southland	Ruffy JDX Midge ADXA-G.JDX Jake	Joanne Rennell Joanne Rennell Joanne Rennell	18.261 18.871 20.143	57.275
4	Horowhenua	Basil Jen Fancy JDX	Steve Chalmers Nicola Chalmers Aprille McGee	17.080 19.349 22.100	58.529
5	Waimak 3	Fault Shake Angel	Lisa Duff Lisa Duff Chris Knowles	18.935 19.499 20.505	58.939
6	Tauranga 3	Cindy JD FDX Tulli ADX JDX FD Jacqui	Geoff Gillies Shelley Clark Rusty Jones	17.209 21.772 23.284	62.265
7	East BOP	Spell Kwila JD Fizz ADX JD	Una Forrester Una Forrester Joanne Allan	19.370 19.620 24.830	63.820
8	Tokoroa	Brooke Jim ADX JD Diva	Ed Hunt Amanda Benson Amanda Benson	20.780 21.600 22.400	64.780
9	Hawera 3	Nie Zoe Meiah	Delcie Walkington Ian Wooldridge Carol Galliers	23.887 34.539 35.220	93.646

DIVISION FOUR

1	Akarana	Rico JD Jess Indianapolis ADC	Sarah Weakley Kim Thomas Louise Franklin	15.452 18.758 19.075	53.285
---	---------	-------------------------------------	--	----------------------------	--------

2	Blenheim 4	Raider Dudley Ninja	Natasha Neame Erin Newton Nic Furby	18.735 22.575 22.747	64.057
3	South Rangitikei	Shandy JD ADXAb Chloe JDX, FDX Niko ADXAs, JDX	Liz Tolhurst Lynda Cummins Sandra Mohekey	17.340 22.820 28.560	68.720
4	Hawkes Bay 4A	Flint Kaizer Jana	Robyn Fargher Jane Webley Dot Janssen	22.598 23.198 23.367	69.163
5	Mt Maunganui 4	Skip Andy Zac	Mandy Ward Glynis Muir Lauren Homer	22.408 24.273 24.779	71.460
6	Dog Sport Rotorua	Chan Boston Boo	Raewyn Saville Christine Hutchings Raewyn Saville	22.600 23.190 30.800	76.590
7	CHB Orange Roughies	Maggie Toby Fez	Olwyn Johnston Duncan Renner Beth Oliver	21.820 25.090 29.762	76.672
8	Upper Hutt 4	Holly Benji Bobbie	Jane Aukett Karen de Wit Paige Aukett	23.324 26.721 26.825	76.870
9	Nelson 4	Georgie Lia Geordie	Nartarsha Gorrie Nartarsha Gorrie John West	27.094 27.788 28.630	83.512
10	Tauranga 4	Jess Faber JD Onyx	Gail Handley Kate Audas Gail Handley	23.851 26.494 33.440	83.785
11	Go DAWG	Polly Rocket Spicy JDX AD FD Red	Liz Barlow Rebecca Sidwell John Fraser	21.178 26.305 36.958	84.441
12	North Taranaki 4	Samos Zoe Scarlett	David Robertson Sharon Schmidt Denise Davis	23.239 32.166 32.570	87.975
13	Hawera Hoons	Riley Ted	Vivienne Pert Chris Moody	26.536 27.560	90.021

	Kandie		Ian Wooldridge	35.925
14	Norwest	Lass	Colleen Lauder	23.249 91.162
		Floyd	Joan McFarlane	31.943
		Bella	Colleen Lauder	35.970
15	Hawkes Bay 4B	Biggie	Chrissy Harris	27.278 99.271
		Kim	Jacky Carbin	34.939
		Toffee	Rosemary Wood	37.054

YEAR TO DATE—INDIVIDUAL COMPETITION—PROGRESS.

Maxi

1	Knight ADX.S	Heading Dog	Hayley Rohde	Counties	3
2	Ali	Heading Dog	Peter de Wit	Upper Hutt	12
3	J J Cricket	Heading Dog	Jan Murden	Mt Maunganui	14
4	Mist JDX RN	BC	Erin Ball	Mangawhai	20
4	Swift JD	Heading Dog	Hayley Rohde	Counties	20
6	Beau	BC	Carole Logan	Selwyn	28
7	Lace ADXG JD	BC	Annette Flannagan	Mangawhai	29
8	Kodi ADX JDX	Heading Dog	Julie McConkey	Cambridge	31
9	Zee	Heading dog	David Cook	Otago	32
10	Jess	Huntaway x	Kim Thomas	Akarana	35

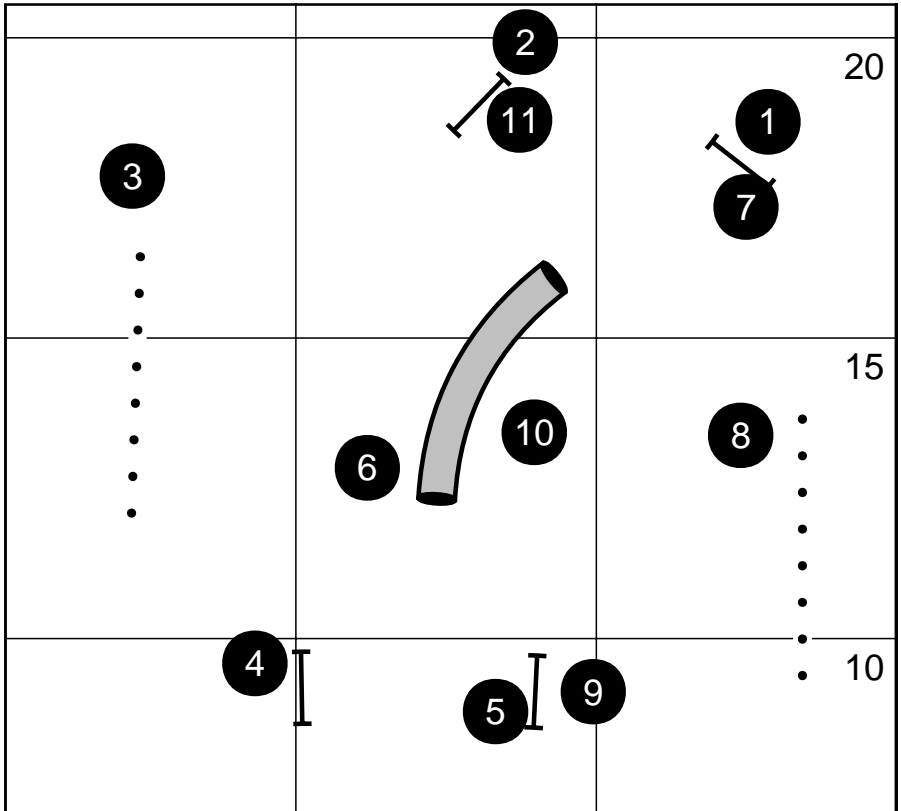
MIDI

1	Flick ADX.S	BC	Hayley Rohde	Counties	4
2	QuickMagic	Heading dog	Peter de Wit	Upper Hutt	11
3	Quiz	BC	Roselle Bremmers	Waimakariri	17
4	Loose	Working Ke	Kim Loye	Central HB	20
4	Thanx	BC	Debbie McFarlane	Mt Maunganui	20
6	JCh Jolt	BC	David Cook	Otago	23
7	Finn	Heading Dog	Karen de Wit	Upper Hutt	30
8	Flash	BC	Reece Smith	Otago	36
9	AgGrCh Juice	BC	Anne Cook	Otago	39
10	Hiska	Kelpie	Matilda van Rijnberk	North Shore	40

SMALL

1	Jonty	BichonX	Natasha Coulter	Sth Canterbury	10
2	Geisel	Min poodle	Caitlin Frater	WAG	18
3	Smarty JDX	Min Poodle	Aprille McGee	Horowhenua	19
4	Abby	Min Poodle	Lex Clare	Hawkes Bay	21
4	Izzy	Min Schnau	Kathryn Snook	CCATS	21
6	Benji	Min Poodle	Bronwyn Rumble	Sth Canterbury	22
6	Indianapolis ADC	Jack Russell	Louise Franklin	Akarana	22
6	Josh ADXS	Min Schnau	Wendy Bainbridge	Wanganui	22
9	Viper	Min Schnau	Kathryn Snook	CCATS	24
10	Midge	Jack Russell	Joanne Rennell	Southland	29

THIS MONTHS TRAINING at UPPER HUTT.



We have been splitting the class into 3 groups (which works in quite well with the 3 height groups—small, midi and maxi).

Usually we split the exercises into a Jumping group, contacts group and weaving group, but this month we did something slightly different. The idea was to give each group a short course, so that they could hone their skills on a longer sequence. Within each sequence was a list of skills to work on.

The same plan is used for 3-4 weeks in a row. This has a few advantages :-

1. People get to know where the equipment goes so that setup is

faster.

2. People get to work on the same skills over a period of a few weeks, so hopefully they improve at them.

The main focus for this exercise was the weave. We have a couple of hard weave entries, and we also want to see just how independent the dog's weave is.

This exercise has the following challenges:-

1. leadout
2. Weave entry
3. Tight turn at #5 and #7 and #9
4. Discrimination at 10-11.
5. An independent weave was a definite advantage

Some suggestions:-

1. try a lead-out and send to the weave. If the start of the course was in the middle of a run, would you handle it differently?
2. Can you leave your dog in the weave while you move towards 35 to signal a tight turn there?
3. How tight was your turn at #7? Use the bar on the ground test that we talked about last month to measure just how tight your turn is. The better the turn the easier the entry to the weave will be.
4. Once again, can you leave your dog in the weave to get ahead at the tunnel so you can call your dog to # 11?

Feel free to break the exercise down into smaller segments and then put it all together at the end of the session.



Flygility.. by Allan Rohde

Something that I see regularly in flygility, and also in agility, is dogs being entered into competition before they are ready. This is not necessarily a bad thing as long as the owner has realistic expectations of what they want to achieve from competing. Experience “in the ring” is important for a young dog and if that experience is a happy one, they are much more likely to thrive in the ring. However, if the owner’s expectations are too high, and the dog ends up with a bad first experience in the ring then it can often be hard to get that dog to reach its full potential. I think when a dog first starts competing it should be more about building up confidence in the ring rather than the results. If the dog becomes confident in the ring, and enjoys that environment, then getting better performances from them will become so much easier to achieve.

The good news is that more people are taking the approach of building confidence in the ring rather than going for gold all the time. However, there are still far too many that are expecting far too much from their young dogs first experiences in the ring. Often these dogs get growled at which in the long term is detrimental to achieving the dogs full potential. So when starting a young dog, be realistic with your expectations for that dog. Each dog is different and so are the owner’s circumstances. Not all dogs will be “winners” when they first enter the ring but if your expectations are realistic, you can come away feeling as if you have had a win...

Challenge Courses – May/August/November/January/March

The monthly courses can be downloaded from the files section of the NALA group. These can be accessed from the following web address:

<http://groups.yahoo.com/group/NZAagility/files/Flygility/Monthly%20Courses/>

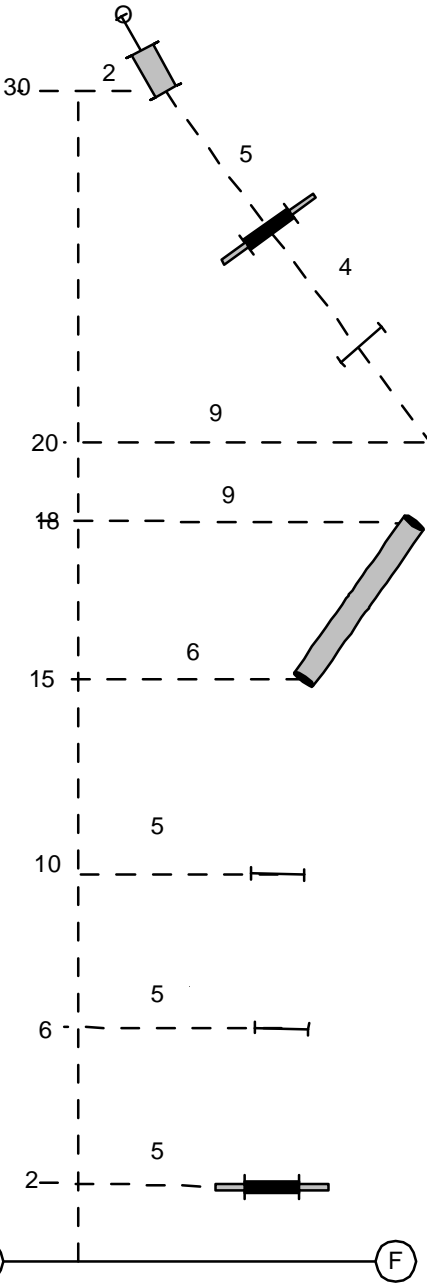
These have been uploaded as word documents and you should contact me if you require the courses in a different format.

STANDARD TEAMS—SEPTEMBER

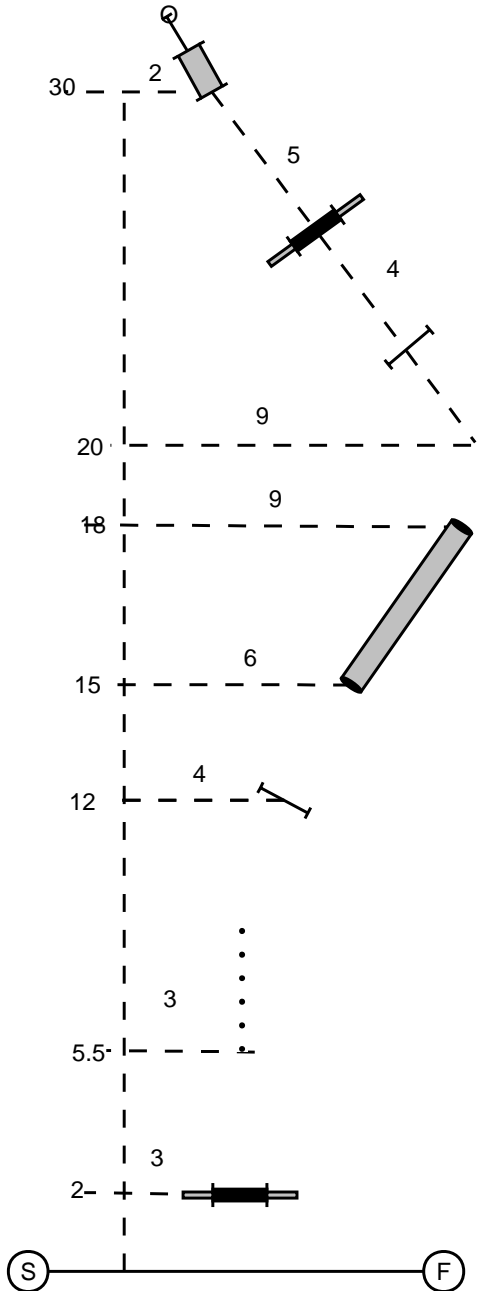
1	Counties Aquila Tarts	35.159	Charm JDX ADX.S Chloe. FDX Bolt ADX.S	Hayley Rohde Shirley Hall Elaine Rohde
2	Ball Fighters	36.350	Niko ADXAs, JDX Chloe JDX, FDX Shaylar FD	Sandra Mohekey Lynda Cummins Barbara James
3	Wairarapa 1	36.470	Blast Jamaica Tasman ADX JDX	Ana Workman Dianne Reid Sharleen Drummond
4	Dog Sports Rotorua team 1	36.560	Boston Chan Bridie FD	Christine Hutchings Raewyn Saville Carolyn Mear
5	CHB Aces	37.190	Fly Bella Pepsi	Catherine Hartly Sanne Van der Meer Danielle Stevens
6		37.300	Jete Stacey Zeba	Sharon Hastings Wayne Turner Wayne Turner
7		37.340	Beta Cheeky Skip	Deb Jackson Deb Jackson Mandy Ward
8	Counties Bees and Dees	37.406	Bounce Buzz FD Dallas	Marie Wales Chris Charlton Christine Wallace
9	North Shore	37.830	Bess Bracken FDCh Dash	Dave Swinyard Sheeran Johnson Kay Ungemuth
10	Counties Black as Coals	38.645	Coal Jasper Tosca	Marie Wales Carol Marriott Louise Van Meygaarden
11	Counties Tri Sized	39.444	Nancy FDCH Minx Robbie	Anna Snell Margaret Anderson Nicole Beaumont
12	Hawkes Bay 1	39.860	Jana Q Roxy	Dot Janssen Sharon Simonsen Campbell List
13	Mangawhai Flyers	39.910	Dash ADX JD FD Breeze Mist JDX RN	Della Welch Annette Flannagan Erin Ball
14	Counties Night Mc Flackers	40.184	Knight ADX.S, Mac.	ADXB JDX, Flick ADX.S
15	Wairarapa 2	40.250	India JDX Milly JD Smudge	Dianne Reid Caragh Briggs Ana Workman
16	Dog Sports Rotorua team 2	40.280	Bootz	Christine Hutchings

			Jay	Hilary Quemby
			Astro	David Prendergast
17	Wangavegas1	40.530	FD Molly	Bruce Lacey
			ADX, FDX Yani	Silvia Rizzi
18	Taranaki Hardcore	40.650	Heydoh ADXS,JDX,	Jonna Gibson
			Rosie	Patricia Martin
			Mulga	Laurel Austin
			Song	Rae Mayhead
19	Counties Mixed Bunch	41.676	Geordie, Piper, Yogi	
20	Hawkes Bay 2	42.027	QuBa, Ringo, Samson	
21	CHB Retards	51.850	Taz	Kim Loye
			Toonie ADX FDX	Chris Ross
			Jack AD FD	Chris Ross
22	Hawkes Bay 3	54.223	Ch'lee	Jane Webley
			Rosie	H McGrannachan
			Sheeba ADXG	Campbell List
23	Harley, Kaz, Cindy	55.720	Helen Fabling, Geoff Gillies, Geoff Gillies	
24	Feildabull	61.040	Finn	Barbara James
			Shadow	Nichola Cole
			Pulse	Sandra Mohekey
25	Unforgettabull	61.530	FDCH Jordy ADX	Barbara James
			Pepsi	Nichola Cole
			Albert	Elsie Marriott
26	Waimak 2	62.773	Tee	Lisa Duff
			Radler	Anne Godfrey
			Quiz ADXG JDX FD	Roselle Bremmers
27	Horowhenua	79.910	Basil	Steve Chalmers
			Dart JDX RN	Helen Carter
			Nitro	Nicole Robinson
28	Taranaki BeeGeez	83.100	Bella	Lynn Pillette
			Zoe	Sharon Schmidt
			Breeze	Rae Mayhead
29	Taranaki Harlequins	101.310	Diaz, Kashin, Gympie	
30	Wangavegas2	104.470	FD Boomer	Silvia Rizzi
			Lucy	Bruce Lacey
			Bailey Bleu JD	Claire Smit
31	Wairarapa 4	135.280	Misty , Whizz, Rusty	
32	norwest 1	5555	Chester FD	Joan McFarlane
			Dobby	Gemma Hampson
			Teddy FD	Karen Smith
32	Oodlemunsters	5555	Meiah	Carol Galliers
			Nie	Delcie Walkington
			Reece ADX	Carol Galliers

STANDARD FLYGILITY COURSE
NOVEMBER 2013



CHALLENGE FLYGILITY COURSE
NOVEMBER 2013



AGILITY LINK.

COPY: All copy - correspondence, articles, etc should be sent to the Editor. All copy must have the name and address of the contributor. Limit number of words to 500 or one A4 page. Copy may be abridged or edited.

COURSE PLANS – Any member may submit course plans. Supply as Course designer or in scale in black pen on an A4 sheet Portrait size, or Course Design computer format. Publication is not guaranteed.

AGILITY LINK does not accept responsibility for the views expressed by contributors and retains the right not to publish submissions for reasons of space or suitability.

ALL SUBS TO THE TREASURER. Cheques should be made payable to NALA. Payment must be received by the 27th of the month to be current.

EMAIL GROUP: to join send a message to:
NZAgility-subscribe@yahoogroups.com

WEBSITE: located at <http://groups.yahoo.com/group/NZAgility>

RESULTS: www.nala.org.nz

ADVERTISING.
\$10 - 1/4 page
\$15 - 1/2 page
\$20 - full page



... Dogs love it!

Stockists of:

CONTACTACOAT

FOR DOG AGILITY CONTACT EQUIPMENT
DEVELOPED DOWNUNDER COVETED AROUND THE WORLD

FarmTek / Agility Timing Systems



Rigid and Chute Tunnels

Also for:

Tunnel Huggers (Sml & Lrg)

Agility Scribe Sheets

Timer Accessories

Coloured Certificate Card

Rubber Slats
Measuring Sticks
Agility Record Books
Waterproof Paper

Agility Stuff Ltd, 213 Oruanui Rd, RD 4, Taupo 3384

Phone/Fax 07 376 7069

Email: schnauzer@paradise.net.nz

www.agilitystuff.co.nz